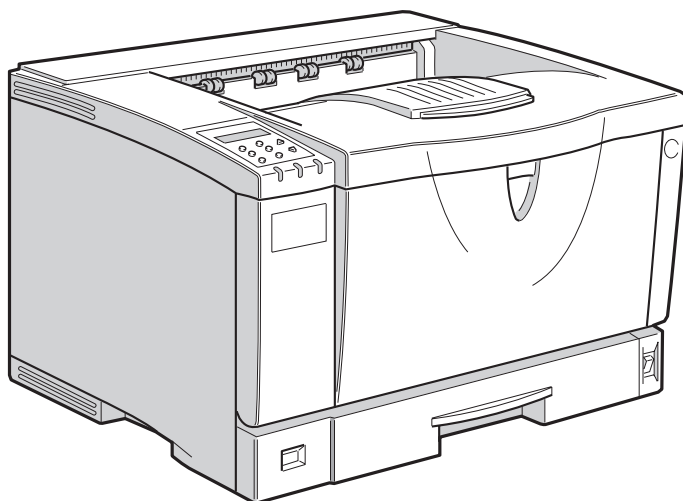


# RICOH LASER AP2600/AP2600N

## Setup Guide



Read this manual carefully before you use this product and keep it handy for future reference.

For safety, please follow the instructions in this manual.

## Introduction

This manual contains detailed instructions on the operation and maintenance of this machine. To get maximum versatility from this machine all operators should carefully read and follow the instructions in this manual. Please keep this manual in a handy place near the machine.

Please read the Safety Information before using this machine. It contains important information related to USER SAFETY and PREVENTING EQUIPMENT PROBLEMS.

### Notes:

The actual names of the following applications do not appear on the following pages. Check the model name of the printer before reading this manual.

Descriptions in this manual	Model name
Type 1 Printer	RICOH LASER AP2600
Type 2 Printer	RICOH LASER AP2600N

Descriptions without the note for identifying the type of the printer are common for both models. Certain types might not be available in some countries. For more information, please contact your local dealer.

The actual names of the following applications do not appear on the following pages. Confirm which applications you will be using before reading this manual.

Descriptions in this manual	Application
PRINTER MANAGER FOR ADMINISTRATOR	Aficio Manager for Admin
PRINTER MANAGER FOR CLIENT	Aficio Manager for Client

### Consumable:

Consumable	Name
Toner	RICOH LP TONER CARTRIDGE Type 100 BLACK

Consumable	Compornents
MAINTENANCE KIT Type2600	Friction Pads, Paper Feed Rollers, Transfer Roller, Fusing Unit

### Power Source

RICOH LASER AP2600: 120 V, 60 Hz, 8.4 A or more

RICOH LASER AP2600N: 120 V, 60 Hz, 8.4 A or more

Please be sure to connect the power cord to a power source as above.

Two kinds of size notation are employed in this manual. With this machine refer to the metric version.

### Operator Safety:

This machine is considered a CDRH class I laser device, safe for office/ EDP use. The machine contains 5-milliwatt, 760 - 800 nanometer wavelength, GaAlAs laser diode. Direct (or indirect reflected) eye contact with the laser beam might cause serious eye damage. Safety precautions and interlock mechanisms have been designed to prevent any possible laser beam exposure to the operator.

### Laser Safety:

The Center for Devices and Radiological Health (CDRH) prohibits the repair of laser-based optical unit in the field. The optical housing unit can only be repaired in a factory or at a location with the requisite equipment. The laser subsystem is replaceable in the field by a qualified Customer Engineer. The laser chassis is not repairable in the field. Customer engineers are therefore directed to return all chassis and laser subsystems to the factory or service depot when replacement or the optical subsystem is required.

### Important

Parts of this manual are subject to change without prior notice. In no event will the company be liable for direct, indirect, special, incidental, or consequential damages as a result of handling or operating the machine.

### Caution:

Use of controls or adjustment or performance of procedures other than those specified in this manual might result in hazardous radiation exposure.

Do not attempt any maintenance or troubleshooting other than that mentioned in this manual. This printer contains a laser beam generator and direct exposure to laser beams can cause permanent eye damage.

Two kinds of size notation are employed in this manual. With this machine refer to the inch version.

For good copy quality, Ricoh recommends that you use genuine Ricoh toner.

Ricoh shall not be responsible for any damage or expense that might result from the use of parts other than genuine Ricoh parts in your Ricoh office product.

# Trademarks

Microsoft<sup>®</sup>, Windows<sup>®</sup> and Windows NT<sup>®</sup> are registered trademarks of Microsoft Corporation in the United States and/or other countries.

Novell, Netware, NDS are registered trademarks of Novell, Inc.

PostScript<sup>®</sup> is a registered trademark of Adobe Systems, Incorporated.

PCL<sup>®</sup> is a registered trademark of Hewlett-Packard Company.

AppleTalk, Apple, Macintosh, TrueType and LaserWriter are registered trademarks of Apple Computer, Incorporated.

IPS-PRINT<sup>™</sup> Printer Language Emulation<sup>®</sup> Copyright 1999-2000, XIONICS DOCUMENT TECHNOLOGIES, INC., All Rights Reserved.

Ethernet<sup>®</sup> is a registered trademark of Xerox Corporation.

Other product names used herein are for identification purposes only and might be trademarks of their respective companies. We disclaim any and all rights in those marks.

---

## Notes:

---

Some illustrations might be slightly different from your machine.

Certain options might not be available in some countries. For details, please contact your local dealer.

---

## Note

---

The proper names of the Windows operating systems are as follows:

- Microsoft<sup>®</sup> Windows<sup>®</sup> 95 operating system
- Microsoft<sup>®</sup> Windows<sup>®</sup> 98 operating system
- Microsoft<sup>®</sup> Windows<sup>®</sup> 2000 Professional
- Microsoft<sup>®</sup> Windows<sup>®</sup> 2000 Server
- Microsoft<sup>®</sup> Windows NT<sup>®</sup> Server operating system Version 4.0
- Microsoft<sup>®</sup> Windows NT<sup>®</sup> Workstation operating system Version 4.0
- Microsoft<sup>®</sup> Windows<sup>®</sup> Millenium Edition (Windows Me)

# Safety Information

When using your printer, the following safety precautions should always be followed.

---

## Safety During Operation

---

In this manual, the following important symbols are used:

**⚠ WARNING:**  
*Indicates a potentially hazardous situation which, if instructions are not followed, could result in death or serious injury.*

**⚠ CAUTION:**  
*Indicates a potentially hazardous situation which, if instructions are not followed, may result in minor or moderate injury or damage to property.*

---

### **⚠ WARNING:**

---

- **Connect the power cord directly into a wall outlet and never use an extension cord.**
- **Disconnect the power plug (by pulling the plug, not the cable) if the power cable or plug becomes frayed or otherwise damaged.**
- **To avoid hazardous electric shock or laser radiation exposure, do not remove any covers or screws other than those specified in this manual.**
- **Turn off the power and disconnect the power plug (by pulling the plug, not the cable) if any of the following conditions exists:**
  - **You spill something into the equipment.**
  - **You suspect that your equipment needs service or repair.**
  - **Your equipment's cover has been damaged.**
- **Do not incinerate spilled toner or used toner. Toner dust might ignite when exposed to an open flame.**
- **Disposal can take place at our authorized dealer or at appropriate collection sites.**
- **Dispose of the used toner cartridge in accordance with the local regulation.**


---

**⚠ CAUTION:**

---

- *Protect the equipment from dampness or wet weather, such as rain, snow, and so on.*
- *Unplug the power cord from the wall outlet before you move the equipment. While moving the equipment, you should take care that the power cord will not be damaged under the equipment.*
- *When you disconnect the power plug from the wall outlet, always pull the plug (not the cable).*
- *Do not allow paper clips, staples, or other small metallic objects to fall inside the equipment.*
- *Keep toner (used or unused) and toner cartridge out of the reach of children.*
- *For environmental reasons, do not dispose of the equipment or expended supply waste at household waste collection points. Disposal can take place at an authorized dealer or at appropriate collection sites.*
- *The inside of the machine could be very hot. Do not touch the parts with a label indicating the “hot surface”. Otherwise it could cause a personal burn.*
- *Our products are engineered to meet high standards of quality and functionality, and we recommend that you only use the expendable supplies available at an authorized dealer.*

# ENERGY STAR Program

<p>ENERGY STAR®</p> 	<p>As an ENERGY STAR Partner, we have determined that this machine model meets the ENERGY STAR Guidelines for energy efficiency.</p>
---	--

The ENERGY STAR Guidelines intend to establish an international energy-saving system for developing and introducing energy-efficient office equipment to deal with environmental issues, such as global warming.

When a product meets the ENERGY STAR Guidelines for energy efficiency, the Partner shall place the ENERGY STAR logo onto the machine model.

This product was designed to reduce the environmental impact associated with office equipment by means of energy-saving features, such as Low-power mode.

- **Energy Saver mode**

This printer automatically lowers its power consumption 15 minutes after the last operation has been completed. To exit Energy Saver mode, press any key on the operation panel. To change the setting of the Energy Saver mode, see “*System Settings Menu*” in the Printer Reference provided as a PDF file on the CD-ROM labeled “*Operating Instructions*”.

- ◆ **Specifications**

Energy Saver mode	Power Consumption	17 W
	Default Time	30 minutes

.....

- ◆ **Recycled Paper**

In accordance with the ENERGY STAR Program, we recommend use of recycled paper which is environment friendly. Please contact your sales representative for recommended paper.

.....

# Manuals for This Printer

---

## Manuals for This Printer

---

The following manuals describe the operational procedures and maintenance of this machine.

To enhance safe and efficient operation of this printer, all users should read and follow the instructions carefully.

### ❖ **Quick Installation Guide**

Describes how to install the printer.

### ❖ **Setup Guide (this manual)**

Provides information about setting up the printer and its options. This manual is provided as a printed manual, and also as a PDF file on the CD-ROM labeled "Operating Instructions".

### ❖ **Printer Reference**

Provides information about using the printer and its options. This manual provided as a PDF file on the CD-ROM labeled "Operating Instructions".

### ❖ **Network Interface Board Operating Instructions**

Provides information about setting up and using the printer in a network environment. This manual provided as a PDF file on the CD-ROM labeled "Operating Instructions".

### ❖ **PostScript 3 Operating Instructions Supplement**

Describes the menus and features for the PostScript 3 printer driver. This manual provided as a PDF file on the CD-ROM labeled "Operating Instructions".

### ❖ **UNIX Supplement**

Provides information about setting up and using the printer in a UNIX environment. This manual provided as a PDF file on the CD-ROM labeled "Operating Instructions".

### **Note**

- ❑ There are two CD-ROMs that come with this printer. One is labeled "Operating Instructions" and the other is "Drivers and Utilities".

# How to Read This Manual

---

## Symbols

---

In this manual, the following symbols are used:

### **WARNING:**

This symbol indicates a potentially hazardous situation which, if instructions are not followed, could result in death or serious injury.

### **CAUTION:**

This symbol indicates a potentially hazardous situation which, if instructions are not followed, may result in minor or moderate injury or damage to property.

\* The statements above are notes for your safety.

### **Important**

If this instruction is not followed, paper might be misfed, originals might be damaged, or data might be lost. Be sure to read this.

### **Preparation**

This symbol indicates the prior knowledge or preparations required before operating.

### **Note**

This symbol indicates precautions for operation, or actions to take after misoperation.

### **Limitation**

This symbol indicates numerical limits, functions that cannot be used together, or conditions in which a particular function cannot be used.

### **Reference**

This symbol indicates a reference.

[   ]

Keys that appear on the machine's panel display.

Keys and buttons that appear on the computer's display.

【   】

Keys built into the machine's operation panel.

Keys on the computer's keyboard.



# TABLE OF CONTENTS

## 1. Getting Started

---

<b>Features of This Printer .....</b>	<b>1</b>
<b>Printer Drivers for This Printer.....</b>	<b>2</b>
<b>Software and Utilities Included on the CD-ROM.....</b>	<b>4</b>
<b>Guide to This Printer .....</b>	<b>6</b>
Mainframe .....	6
Operation Panel .....	9

## 2. Installing Options

---

<b>Available Options .....</b>	<b>12</b>
<b>Installing Options .....</b>	<b>15</b>
Installing Paper Feed Unit Type 2600 .....	15
Installing Envelope Feeder Type 2600.....	16
Installing 1-bin Shift Sort Tray Type 2600 .....	17
Installing CS380 (Mailbox) .....	19
Installing AD410 (Duplex Unit) .....	20
Installing Memory Unit TypeB 64MB.....	22
Installing Hard Disk Drive Type 2600.....	24
Installing Network Interface Board Type 2600 .....	27
Installing 1394 Interface Unit Type 2600.....	31

## 3. Configuring the Printer for the Network

---

<b>Configuring the Printer for the Network with the Operation Panel ....</b>	<b>37</b>
--	-----------

## 4. Installing the Printer Driver and Software

---

<b>Installation Method</b> .....	<b>43</b>
<b>Installing by Auto Run</b> .....	<b>45</b>
<b>Installing the PCL 6/5e Printer Driver</b> .....	<b>46</b>
Windows 95/98/Me - Installing the PCL 6/5e Printer Driver .....	46
Windows 2000 - Installing the PCL 6/5e Printer Driver .....	47
Windows NT 4.0 - Installing the PCL 6/5e Printer Driver .....	49
<b>Installing the RPCS Printer Driver</b> .....	<b>51</b>
Windows 95/98/Me - Installing the RPCS Printer Driver .....	51
Windows 2000 - Installing the RPCS Printer Driver .....	52
Windows NT 4.0 - Installing the RPCS Printer Driver .....	54
<b>Installing the PostScript Printer Driver</b> .....	<b>55</b>
Windows 95/98/Me - Installing the PostScript Printer Driver.....	55
Windows 2000 - Installing the PostScript Printer Driver.....	57
Windows NT 4.0 - Installing the PostScript Printer Driver .....	59
<b>Using Adobe PageMaker Version 6.0 or 6.5</b> .....	<b>62</b>
<b>Macintosh</b> .....	<b>63</b>
Macintosh - Installing the PostScript Printer Driver .....	63
Setting Up the PPD File .....	64
Setting Up Options .....	64
<b>INDEX</b> .....	<b>65</b>


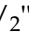
# 1. Getting Started

## Features of This Printer

This printer is designed especially for office workgroups, both for shared usage within a network environment, and for one-to-one usage by being connected directly to the computer.

### ❖ Time Saving

Superior features save time on print tasks.

- Continuous Printing Speed : 26 ppm.  
A4 , 8<sup>1</sup>/<sub>2</sub>" × 11" , maximum printing speed from a standard paper tray.
- All Front Operation: From the front, you can replace the toner cartridge, check indicators, and clear a paper misfeed if it occurs.

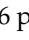
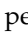
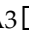
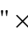
### ❖ Compact Body

Its compact body requires minimum space to place it on your desk or desk side.





### ❖ Network Connectivity

This printer is network ready with two versions. One is a printer with a standard Network Interface Board, and the other is a printer with an optional Network Interface Board Type 2600.

### ❖ Major Specifications

Printing Speed	26 pages per minute (A4  , 8 <sup>1</sup> / <sub>2</sub> " × 11"  )
Maximum Print Quality	True 1200 × 1200 dpi resolutions (PCL 6, RPCS, PS3)
Printer Language	PCL 6, PCL 5e, RPCS, PostScript 3
Maximum Input Paper Size	Paper Tray and Bypass Tray: A3  , 11" × 17" 
Standard Memory Size	32MB
Maximum Memory Size with Optional Memory	96MB

### Note

-  The "  " symbol means short-edge feed direction.
-  The "  " symbol means long-edge feed direction.

# Printer Drivers for This Printer

Printing requires installation of a printer driver for your operating system. The following drivers are included on the CD-ROM that comes with this printer.

Printer Language	PCL 6	PCL 5e	RPCS	PostScript3
<b>Operating system</b>				
Windows 95 *1	√	√	√	√ *8
Windows 98 *2	√	√	√	√ *8
Windows Me *3	√	√	√	√ *8
Windows 2000 *4	√	√	√	√ *8
Windows NT 4.0 *5	√	√	√	√ *7 *8
Mac OS *6				√ *8

\*1 Microsoft Windows 95 operating system

\*2 Microsoft Windows 98 operating system

\*3 Microsoft Windows Millenium edition operating system

\*4 Microsoft Windows 2000 professional  
Microsoft Windows 2000 Server

\*5 Microsoft Windows NT Server operating system version 4.0, Microsoft Windows NT Workstation operating system version 4.0 in a computer using x86 processors.

\*6 Required version is 7.6.1 or later operating system.

\*7 Requires Service Pack 4 or later.

\*8 The Adobe PostScript printer drivers and PostScript Printer Description (PPD) files are included on the CD-ROM that comes with this printer.

## ❖ PCL printer drivers

Printer drivers allow the computer to communicate with the printer via a printer language. Two kinds of PCL printer drivers, PCL 6 and PCL 5e, are provided with this printer. We recommend PCL 6 as your first choice.

### Note

Some of your applications might require the installation of the PCL 5e printer driver. In this case, you can install PCL 5e in addition to PCL 6.

⇒ P.46 "Windows 95/98/Me - Installing the PCL 6/5e Printer Driver"

⇒ P.47 "Windows 2000 - Installing the PCL 6/5e Printer Driver"

⇒ P.49 "Windows NT 4.0 - Installing the PCL 6/5e Printer Driver"

## ❖ RPCS printer driver

This printer driver allows the computer to communicate with the printer via a printer language. The preset type user interface is provided in addition to the conventional one.

⇒ P.51 "Windows 95/98/Me - Installing the RPCS Printer Driver"

⇒ P.52 "Windows 2000 - Installing the RPCS Printer Driver"

⇒ P.54 "Windows NT 4.0 - Installing the RPCS Printer Driver"

**❖ Adobe PostScript Printer Drivers and PPD files**

The Adobe Postscript printer drivers and the PPD files are included on the CD-ROM that comes with this printer. Adobe PostScript printer driver allows the computer to communicate with the printer via a printer language. The PPD files allow the printer driver to enable the printer specific functions.

⇒ P.55 *“Windows 95/98/Me - Installing the PostScript Printer Driver”*

⇒ P.57 *“Windows 2000 - Installing the PostScript Printer Driver”*

⇒ P.59 *“Windows NT 4.0 - Installing the PostScript Printer Driver”*

⇒ P.63 *“Macintosh”*

# Software and Utilities Included on the CD-ROM

1

There are two CD-ROMs that comes with this printer. One is labeled “Operating Instructions” and the other is “Drivers and Utilities”. The following items are included on the two CD-ROMs separately.

## ❖ **Agfa Font Manager**

Helps you to install new screen fonts, or organize and manage fonts already installed on the system. This manual provided as a PDF file on the CD-ROM labeled “Drivers and Utilities”.

## ❖ **PRINTER MANAGER FOR ADMINISTRATOR**

A utility for the system administrator to manage printers on the network. This manual provided as a PDF file on the CD-ROM labeled “Drivers and Utilities”.

### **Reference**

For the actual name of PRINTER MANAGER FOR ADMINISTRATOR application, see the inside of front cover of this manual.

See PRINTER MANAGER FOR ADMINISTRATOR online Help for more information about using PRINTER MANAGER FOR ADMINISTRATOR.

## ❖ **PRINTER MANAGER FOR CLIENT**

A utility for users to manage their own print status on the network. This manual provided as a PDF file on the CD-ROM labeled “Drivers and Utilities”.

### **Reference**

For the actual name of PRINTER MANAGER FOR CLIENT application, see the inside of front cover of this manual.

See PRINTER MANAGER FOR CLIENT online Help for more information about using PRINTER MANAGER FOR CLIENT.

## ❖ **Multidirect Print**

A utility for printing on a “peer to peer” network. This manual provided as a PDF file on the CD-ROM labeled “Drivers and Utilities”.

### **Reference**

For more information about Multidirect Print, see the Network Interface Board Operating Instructions provided as a PDF file on the CD-ROM labeled “Operating Instructions”.

**❖ PortNavi**

A utility that helps you to use the network printer effectively. It is useful in environments where two or more network printers are used. This manual provided as a PDF file on the CD-ROM labeled “Drivers and Utilities”.

**🔍 Reference**

For more information about PortNavi, see the Network Interface Board Operating Instructions provided as a PDF file on the CD-ROM labeled “Operating Instructions”.

**❖ Acrobat Reader**

A utility that allows you to read PDF (Portable Document Format). This manual provided as a PDF file on the CD-ROM labeled “Operating Instructions”.

**📖 Note**

- Documentation about using the printer is included on the CD-ROM in PDF format. See Acrobat Reader online Help for more information about using Acrobat Reader.

**⚠ Important**

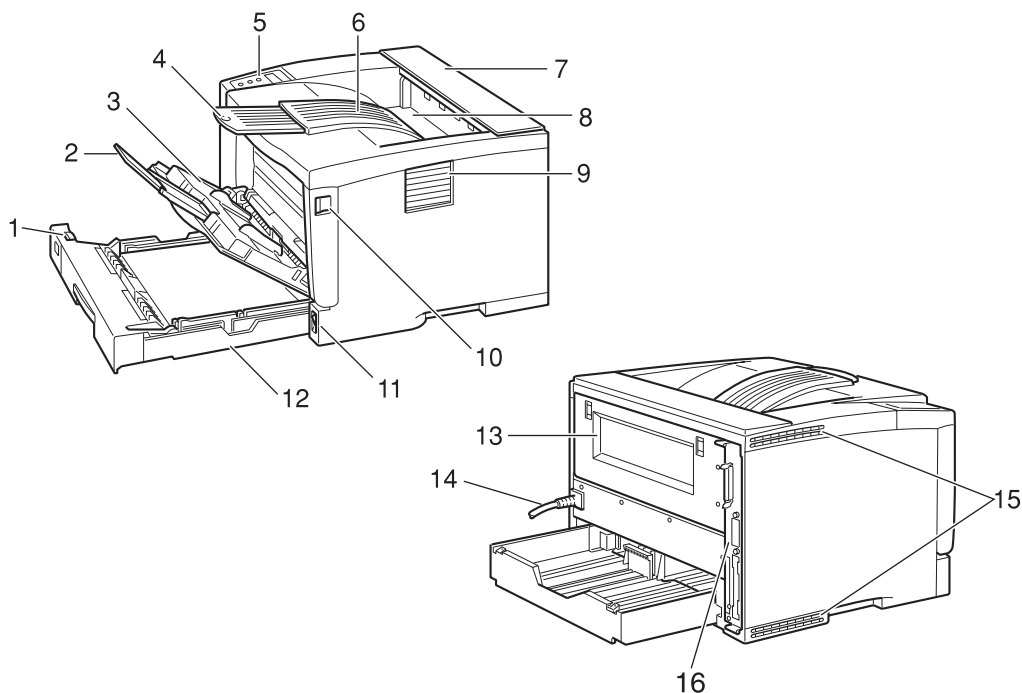
- If you upgrade to Windows 2000 from Windows 95/98/Me or Windows NT 4.0, the software and utilities must be uninstalled prior to installing Windows 2000. Then reinstall them in a Windows 2000 environment.

# Guide to This Printer

## 1

### Mainframe

#### ◆ Exterior

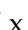



ZCEH141N

#### 1. Paper Size Dial

Adjust this dial to match the size and feed direction of the paper loaded in the paper tray.

#### 2. Bypass Tray Extension

Pull out this extension to load paper into the bypass tray when its length is longer than A4  or 8<sup>1</sup>/<sub>2</sub>" x 11" .

#### 3. Bypass Tray

Use to print onto thick paper, OHP transparencies, adhesive labels, custom size paper, envelopes as well as plain paper. When printing on custom paper size, printer driver settings are required.

Up to 100 sheets of plain paper (80 g/m<sup>2</sup>, 20 lb) can be loaded.

See "Paper and Other Media Supported by this Printer" and "Loading Paper in the Bypass Tray" in the Printer Reference provided as a PDF file on the CD-ROM labeled "Operating Instructions".



#### 4. Output Tray Extension

Pull out this extension when printing on long paper.

#### 5. Operation Panel

Contains keys for the printer operation and a panel display that shows the printer status.

#### 6. Output Tray (Standard Tray)

Printed output is stacked here with the print side facing down.

#### 7. Upper Cover

Remove to install the optional 1-bin Shift Sort Tray or optional the Mailbox.

#### 8. Paper Exit Cover

Open this cover to remove misfed paper.

#### 9. Ventilator

These holes help to keep components inside the printer from overheating.

#### Important

Do not block or obstruct the ventilator. A malfunction may occur due to overheating.

#### 10. Front Cover Release Button

Use this button to open the front cover.

#### 11. Power Switch

Use this switch to turn the printer power on and off.

#### 12. Paper Tray (Tray 1)

Loads up to 250 sheets of plain paper (80 g/m<sup>2</sup>, 20 lb) into this tray for printing.

See *"Paper and Other Media Supported by this Printer"* in the Printer Reference provided as a PDF file on the CD-ROM labeled "Operating Instructions".

#### Note

Paper Tray is displayed "Tray 1" on the panel display.

#### 13. Rear Cover

Remove to install the optional Duplex Unit or to replace the Fusing Unit.

#### 14. Power Cord

Plug this cord into a wall outlet.

#### 15. Ventilators

These holes help to keep components inside the printer from overheating.

#### Important

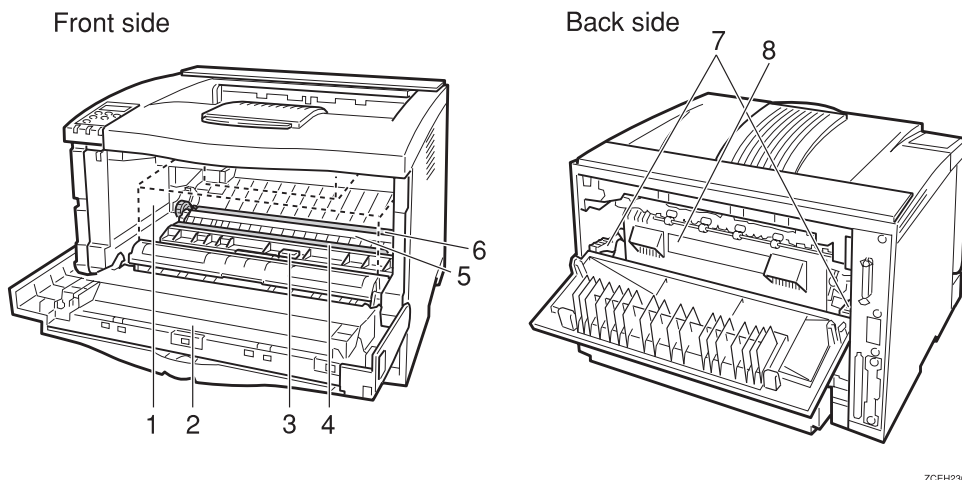
Do not block or obstruct the ventilators. A malfunction may occur due to overheating.

#### 16. Controller Board

Slide it out to install some options. Attach the interface cable, the network interface cable or the 1394 interface cable to the board.

## ❖ Interior

1



ZCEH230J

**1. Toner Cartridge**

Includes toner and a photoconductor unit.

When "Replace Toner Cartridge" appears on the panel display, replace this unit.

**2. Front Cover**

Open this cover when accessing the inside of the printer.

**3. Guide Board**

Open this board to remove misfed paper.

**4. Registration Roller**

Feeds the paper. If it becomes dirty, clean it.

See "Cleaning the Registration Roller" in the Printer Reference provided as a PDF file on the CD-ROM labeled "Operating Instructions".

**5. Transfer Roller Cover**

Open this cover when replacing a transfer roller.

**6. Transfer Roller**

When "Replace Maintenance Kit" appears on the panel display, replace this roller.

**7. Fusing Unit Lock Levers**

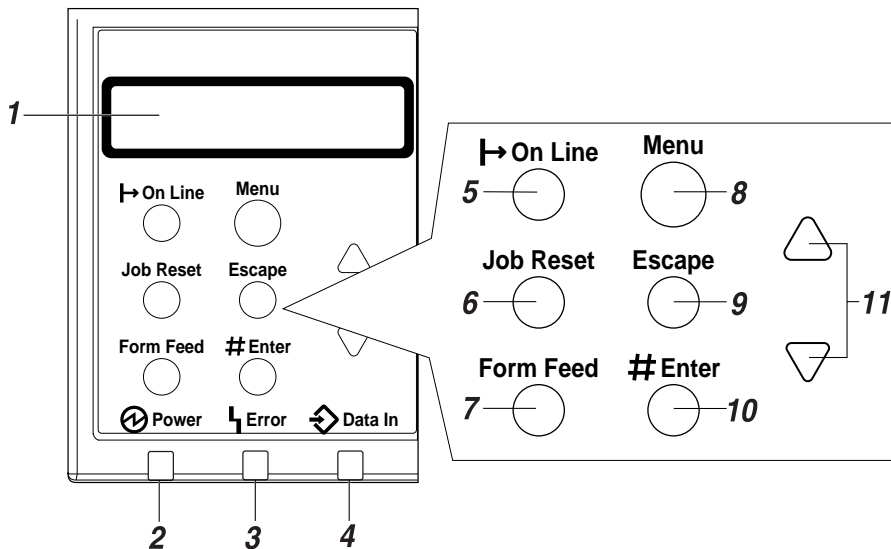
Lift these levers when replacing the fusing unit.

**8. Fusing Unit**

Fuses the image onto paper.

When "Replace Maintenance Kit" appears on the panel display, replace this unit.

## Operation Panel



### 1. Panel display

Shows the current status of the printer and error messages.

See "Error & Status Messages on the Operation Panel" in the Printer Reference provided as a PDF file on the CD-ROM labeled "Operating Instructions".

### 2. Power indicator

Is on while the printer power is on.

Is off when the power is turned off or while the printer is in Energy Saver mode.

### 3. Error indicator

Blinks or lights up whenever any printer error occurs. A message describing the cause of the error also appears on the panel display.

See "Error & Status Messages on the Operation Panel" in the Printer Reference provided as a PDF file on the CD-ROM labeled "Operating Instructions".

### 4. Data In indicator

Blinks while the printer is receiving data from a computer.

Is on if there is data to be printed.

### 5. [Online] key

Press this key to switch the printer between online and offline.

### 6. [Job Reset] key

When the printer is online, press this key to cancel any ongoing print job.

See "Canceling a Print job" in the Printer Reference provided as a PDF file on the CD-ROM labeled "Operating Instructions".

### 7. [Form Feed] key

If the printer is offline, press this key to print all the data left in the printer's input buffer.

#### Note

This does not work if the printer is online.

### 8. [Menu] key

Press this key to make and check the current printer settings.

See "Making Printer Settings with the Operation Panel" in the Printer Reference provided as a PDF file on the CD-ROM labeled "Operating Instructions".

### **9. [Escape] key**

Press this key to return to the previous condition on the panel display.

### **10. [Enter #] key**

Press this key to execute menu items selected on the panel display.

Press this key to clear some errors.

See "*Troubleshooting*" in the Printer Reference provided as a PDF file on the CD-ROM labeled "Operating Instructions".

### **11. [▲][▼] keys**

Use these keys to increase or decrease values on the panel display when making settings.

# 2. Installing Options

## CAUTION:

- Be sure to turn off the printer and wait for about an hour before installing options. Not waiting for the printer to cool down can result in a burn.
- When lifting the printer, use the inset grips on both sides of the printer, otherwise the printer might fall and cause personal injury.
- When you move the printer, unplug the power cord from the wall outlet to avoid a fire or an electric shock.

## Important

- Rating voltage of the connector for options ; Max. DC24V.

## Option List

### Note

- See the inside front cover of this manual to confirm which printer (Type 1 or Type 2) you have.

	Type 1 Printer	Type 2 Printer
Paper Feed Unit Type 2600 *1	○	○
Envelope Feeder Type 2600 *2	○	○
1-bin Shift Sort Tray Type 2600 *4	○	○
CS380 (Mailbox) *4	○	○
AD410 (Duplex Unit)	○	○
Memory Unit TypeB 64MB	○	○
Hard Disk Drive Type 2600	○	○
Network Interface Board Type 2600 *3	○	
1394 Interface Unit Type 2600 *3	○	○

○ : This option can be installed.

\*1 You can install any combination of these units. Up to two Paper Feed Units can be installed to the printer at the same time.

\*2 The Envelope Feeder Unit requires the installation of the Paper Feed Unit.

\*3 The Network Interface Board and the 1394 Interface Unit cannot be installed to the printer at the same time.

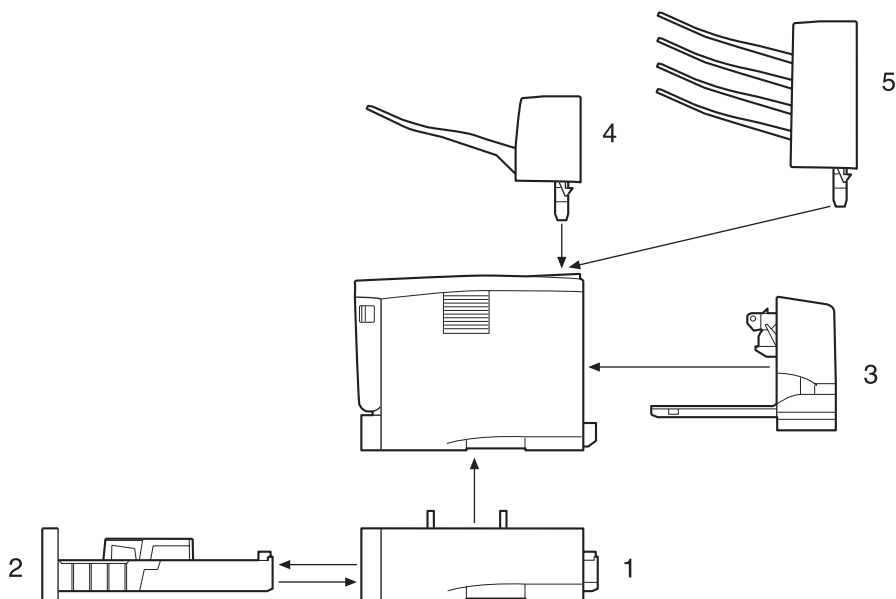
\*4 The 1-bin Shift Sort Tray and the Mailbox cannot be installed to the printer at the same time.

# Available Options

The following options can be installed to the printer.

## ❖ Exterior

2



ZCEH150J

### 1. Paper Feed Unit Type 2600 (Tray 2 or Tray 3)

You can load up to 500 sheets (60-105g/m<sup>2</sup>, 16-28lb) of plain paper into the tray.

#### Note

- Do not install more than two Paper Feed Units to the printer at the same time.
- Top-most optional Paper Feed Unit is displayed "Tray 2" and bottom-most is displayed "Tray 3" on the panel display.

### 2. Envelope Feeder Type 2600

You can load up to 60 envelopes (72-90g/m<sup>2</sup>, 19-24lb) into the tray.

#### Note

- The Envelope Feeder is a tray that slides into the optional Paper Feed Unit. Without the optional Paper Feed Unit, the Envelope Feeder cannot be used.
- The Printer can have two optional Paper Feed Units installed at the same time. However the Envelope Feeder should be used in the top-most optional Paper Feed Unit (tray 2). It cannot be used in the bottom-most Paper Feed Unit (tray 3).

### 3. AD410 (Duplex Unit)

You can print on both sides of paper.

#### 4. 1-bin Shift Sort Tray Type 2600

You can shift and sort the printings.

##### Note

- The 1-bin Shift Sort Tray and the Mailbox cannot be installed to the printer at the same time.

#### 5. CS380 (Mailbox)

You can sort the printings and also deliver them to each tray separately.

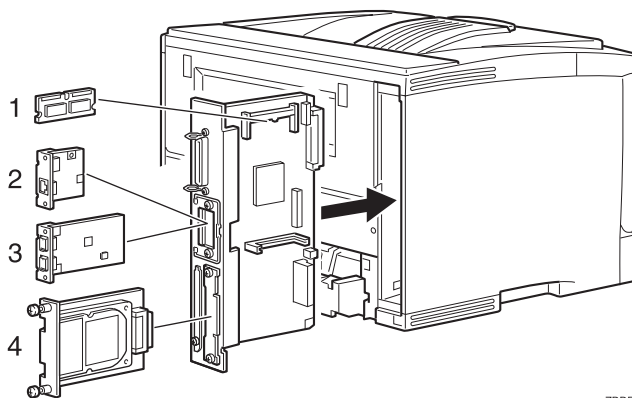
##### Note

- The 1-bin Shift Sort Tray and the Mailbox cannot be installed to the printer at the same time.

#### ❖ Type 1 Printer : Interior

##### Note

- See the inside front cover of this manual to confirm which printer (Type 1 or Type 2) you have.



ZDDP221E

#### 1. Memory Unit TypeB 64MB

You can increase the amount of memory up to 96MB.

#### 2. Network Interface Board Type 2600

You can perform the print job on the network environment.

##### Note

- The Network Interface Board and the 1394 Interface Unit cannot be installed to the printer at the same time.

#### 3. 1394 Interface Unit Type 2600

You can perform the print job on the IEEE 1394 environment.

##### Note

- The 1394 Interface Unit and the Network Interface Board cannot be installed to the printer at the same time.

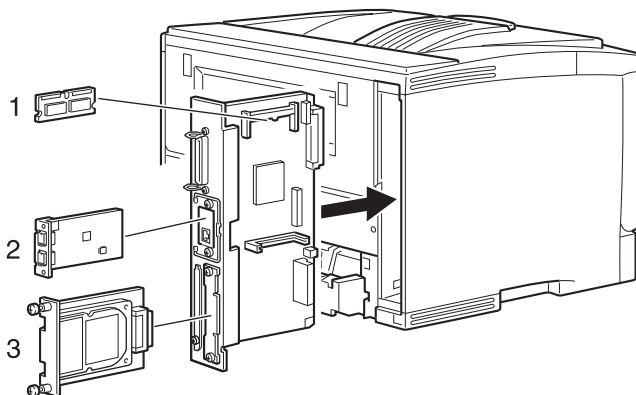
#### 4. Hard Disk Drive Type 2600

You can use the "Collate", the "Sample Print" and the "Protected Print" functions.

## ❖ Type 2 Printer : Interior

### Note

- ❑ See the inside front cover of this manual to confirm which printer (Type 1 or Type 2) you have.



ZDDP220E

### 1. Memory Unit TypeB 64MB

You can increase the amount of memory up to 96MB.

### 2. 1394 Interface Unit Type 2600

You can perform the print job on the IEEE1394 environment.

### Note

- ❑ The 1394 Interface Unit and the Network Interface Board cannot be installed to the printer at the same time.

### 3. Hard Disk Drive Type 2600

You can use the “Collate”, the “Sample Print” and the “Protected Print” functions.



# Installing Options

## Installing Paper Feed Unit Type 2600

### Important

- ❑ Do not slide more than one paper tray out at the same time. Having more than one paper tray filled with paper in a fully extended position could cause the machine to fall down.
- ❑ Do not install more than two Paper Feed Units in your printer at the same time.
- ❑ Check the printer nameplate to confirm the model code.

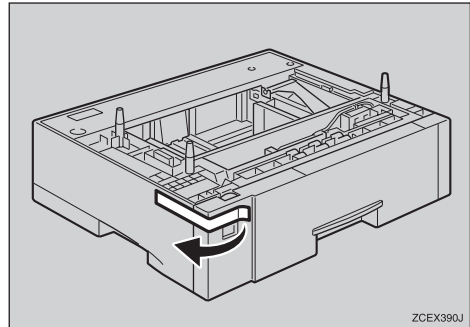
### 1 Check the contents of the box for the following items:

- Paper Feed Unit (including a paper tray)
- Installation Guide

### 2 Be sure to check the following points:

- The power switch is turned off.
- The power cord is unplugged from the wall outlet.
- The interface cable is unplugged from the printer.

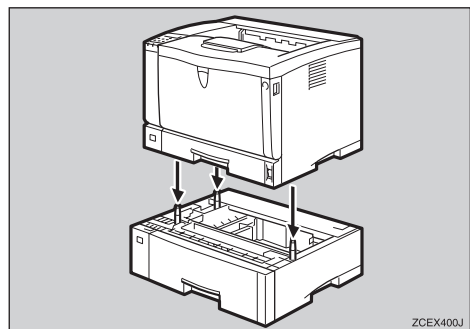
### 3 Remove the adhesive tape from the Paper Feed Unit.



### Note

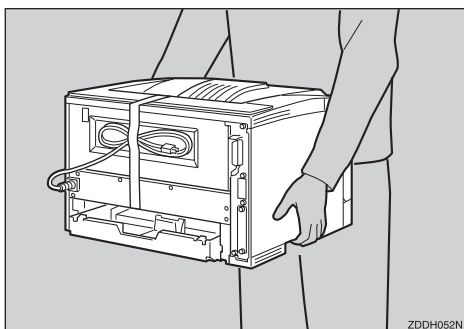
- ❑ If you install two Paper Feed Units at the same time, stack them up in advance.

### 4 There are three pins on the top of the Paper Feed Unit that point straight up. On the bottom of the printer there are three holes. Align the holes over the pins and lower the printer gently onto the Paper Feed Unit.



### CAUTION:

- When lifting the machine, use the inset grips on both sides. Otherwise the printer could break or cause injury if dropped.



**5** Attach the interface cable to the printer.

**6** Plug the printer's power cord back into the wall outlet and turn on the power switch.

 **Note**

- After installing the last option that you want, print a configuration page to confirm the installation. If the new device is listed in the column of configuration options, then it has been properly installed. For more information about printing a configuration page, see "Printing a Configuration Page" in the Printer Reference provided as a PDF file on the CD-ROM labeled "Operating Instructions".

 **Reference**

For information about loading paper, see "Loading Paper in the Optional Paper Tray" in the Printer Reference provided as a PDF file on the CD-ROM labeled "Operating Instructions".

## Installing Envelope Feeder Type 2600

 **Note**

- This unit is a tray that slides into the optional Paper Feed Unit. Without the optional Paper Feed Unit, this Envelope Feeder cannot be used.
- Your printer can have two optional Paper Feed Units. However, the Envelope Feeder must be used in the top-most optional Paper Feed Unit (tray 2). It cannot be used in the bottom-most optional Paper Feed Unit (tray 3).

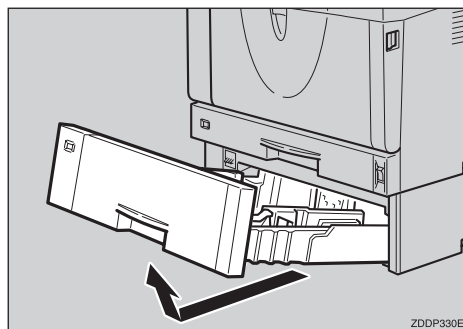
 **Important**

- Do not slide more than one paper tray out at the same time. Having more than one paper tray filled with paper in a fully extended position could cause the machine to fall down.

**1** Check the contents of the box for the following items:

- Envelope Feeder
- Installation Guide

**2** Pull out the second paper tray (tray 2) of the optional Paper Feed Unit until it stops. After that, lift it slightly, and then pull it out.



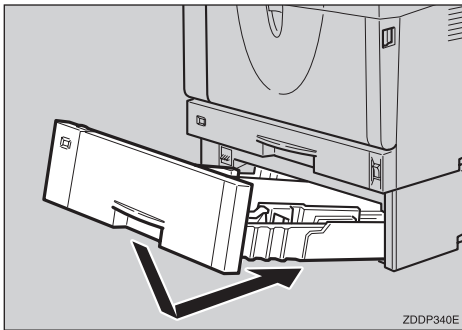
**Important**

- The Envelope Feeder must be used in the top-most optional Paper Feed Unit (tray 2).
- The tray of the top-most optional Paper Feed Unit is beneath the paper tray.

**Note**

- Keep the paper tray with paper in a cool dark place.

- 3** While lifting the front side of the Envelope Feeder, place the feeder into the printer. Then slide it into the printer until it stops.

**Reference**

For information about loading paper, see "Loading Envelopes" in the Printer Reference provided as a PDF file on the CD-ROM labeled "Operating Instructions".

## Installing 1-bin Shift Sort Tray Type 2600

**Important**

- If you install the 1-bin Shift Sort Tray and the Paper Feed Unit, the Paper Feed Unit must be installed prior to installing the 1-bin Shift Sort Tray.
- The 1-bin Shift Sort Tray and the Mailbox cannot be installed to the printer at the same time.
- Check the printer nameplate to confirm the model code.

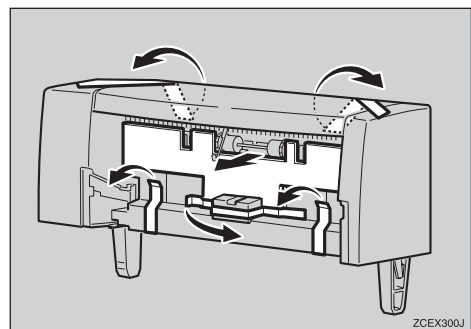
- 1** Check the contents of the box for the following items:

- 1-bin Shift Sort Tray
- Upper Tray
- Installation Guide

- 2** Be sure to check the following points:

- The power switch is turned off.
- The power cord is unplugged from the wall outlet.
- The interface cable is unplugged from the printer.

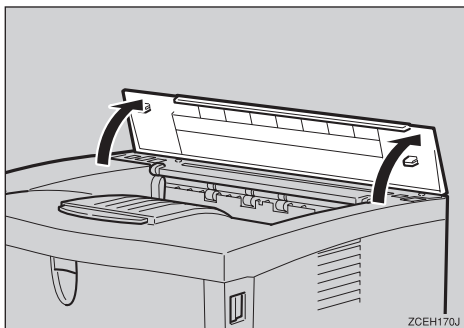
- 3** Remove the adhesive tapes and the packing material.



**4** Remove the upper cover of the printer.

**Note**

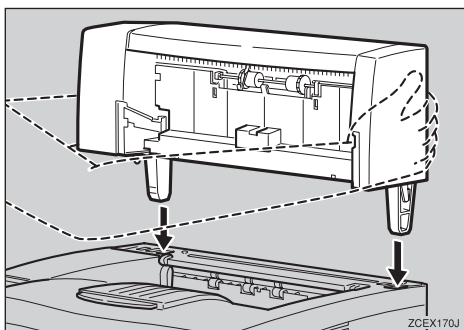
- The upper cover that is removed, is not used when installing the 1-bin Shift Sort Tray.



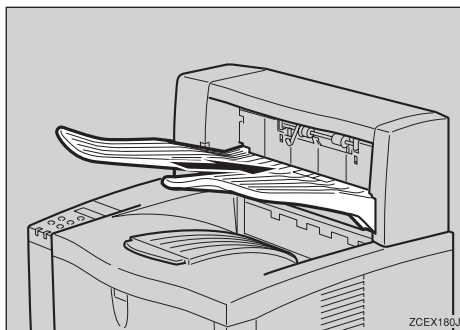
**5** Holding the 1-bin Shift Sort Tray on both sides, align the catches with the holes on the printer and insert.

**CAUTION:**

- When lifting the 1-bin Shift Sort Tray, hold it on both sides. Holding under neath the 1-bin Shift Sort Tray may cause injury to the hands if caught between the 1-bin Shift Sort Tray and the printer.



**6** Slide the upper tray into the 1-bin Shift Sort Tray.



**7** Attach the interface cable to the printer.

**8** Plug the printer's power cord back into the wall outlet and turn on the power switch.

**Note**

- After installing the last option that you want, print a configuration page to confirm the installation. If the new device is listed in the column of configuration options, then it has been properly installed. For more information about printing a configuration page, see "Printing a Configuration Page" in the Printer Reference provided as a PDF file on the CD-ROM labeled "Operating Instructions".

## Installing CS380 (Mailbox)

### Important

- ❑ If you install the Mailbox and the Paper Feed Unit, the Paper Feed Unit must be installed prior to installing the Mailbox.
- ❑ The Mailbox and the 1-bin Shift Sort Tray cannot be installed to the printer at the same time.
- ❑ Check the printer nameplate to confirm the model code.

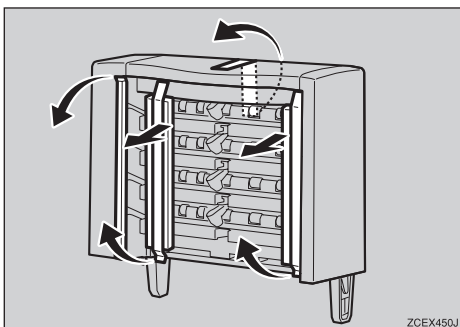
### 1 Check the contents of the box for the following items:

- Mailbox
- Output trays (4pcs)
- Output tray number seal
- Installation Guide

### 2 Be sure to check the following points:

- The power switch is turned off.
- The power cord is unplugged from the wall outlet.
- The interface cable is unplugged from the printer.

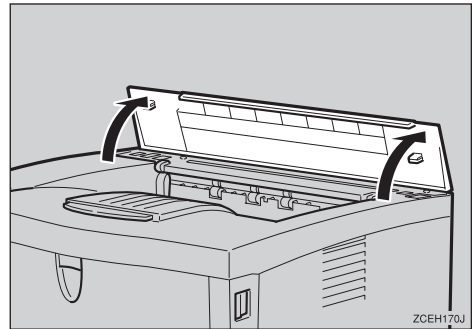
### 3 Remove the adhesive tapes and the packing materials.



### 4 Remove the upper cover of the printer.

#### Note

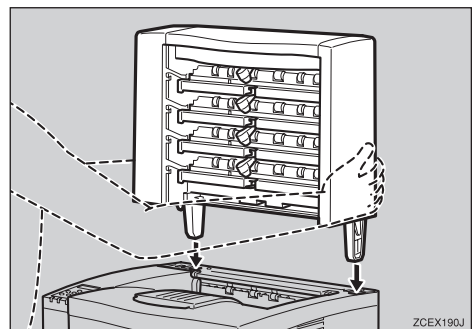
- ❑ The upper cover that is removed, is not used when installing the Mailbox.



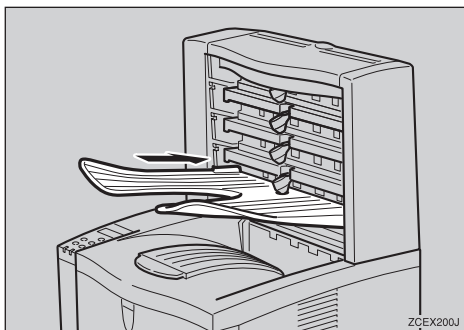
### 5 Holding the Mailbox on both sides, align the catches with the holes on the printer and insert.

#### CAUTION:

- When lifting Mailbox, hold it on both sides. Holding underneath the Mailbox may cause injury to the hands if the Mailbox and the printer.



- 6** Slide the output tray into the lower side of the Mailbox first.



- 7** Slide the other output trays into the Mailbox.
- 8** Attach the interface cable to the printer.
- 9** Plug the printer's power cord back into the wall outlet and turn on the power switch.

 **Note**

- After installing the last option that you want, print a configuration page to confirm the installation. If the new device is listed in the column of configuration options, then it has been properly installed. For more information about printing a configuration page, see "Printing a Configuration Page" in the Printer Reference provided as a PDF file on the CD-ROM labeled "Operating Instructions".

## Installing AD410 (Duplex Unit)

### Important

- If you install the Duplex Unit and the Paper Feed Unit, the Paper Feed Unit must be installed prior to installing the Duplex Unit.
- Check the printer nameplate to confirm the model code.

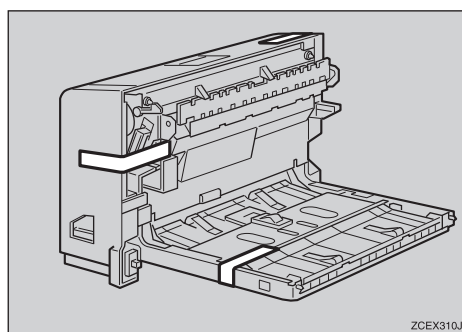
- 1** Check the contents of the box for the following items:

- Duplex Unit
- Installation Guide

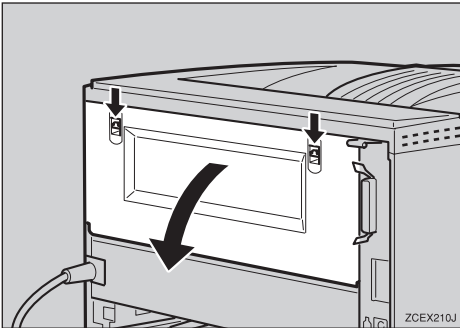
- 2** Be sure to check the following points:

- The power switch is turned off.
- The power cord is unplugged from the wall outlet.
- The interface cable is unplugged from the printer.

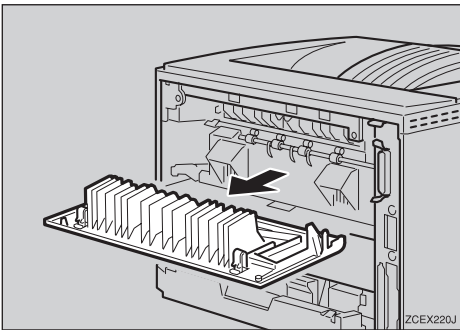
- 3** Remove the adhesive tapes.



- 4** Open the rear cover by pushing the two knobs as shown in the illustration.



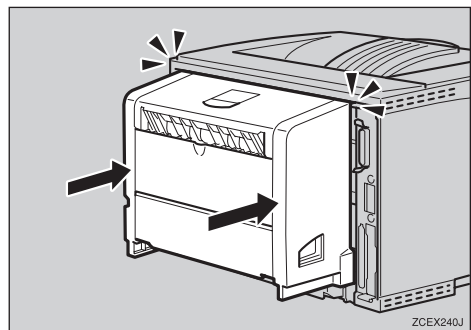
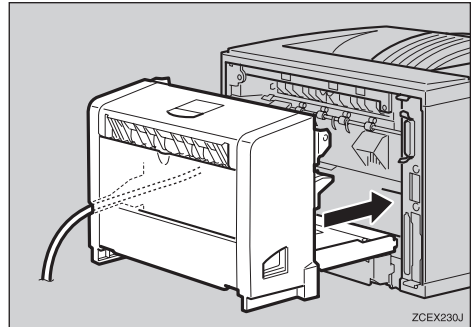
- 5** Remove the rear cover in the horizontal direction.



**Note**

- The rear cover of the printer is not used when installing the Duplex Unit.

- 6** While aligning the power cord to the left side groove of the Duplex Unit, slide it in until it is connected to the printer.



- 7** Attach the interface cable to the printer.

- 8** Plug the printer's power cord back into the wall outlet and turn on the power switch.

**Note**

- After installing the last option that you want, print a configuration page to confirm the installation. If the new device is listed in the column of configuration options, then it has been properly installed. For more information about printing a configuration page, see "Printing a Configuration Page" in the Printer Reference provided as a PDF file on the CD-ROM labeled "Operating Instructions".

## Installing Memory Unit TypeB 64MB

### Important

- ❑ The Memory Unit can be damaged by small amount of static electricity. You should touch some metal to discharge static electricity.

- 1** Check the contents of the box for the following items:

- Memory Unit
- Installation Guide

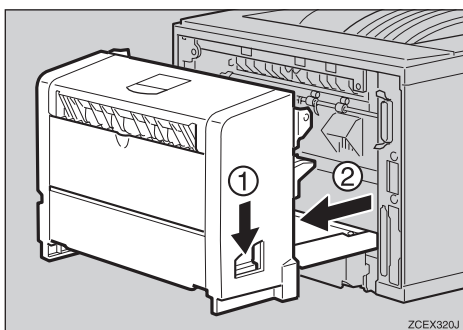
- 2** Be sure to check the following points:

- The power switch is turned off.
- The power cord is unplugged from the wall outlet.
- The interface cable is unplugged from the printer.

### Note

- ❑ If the Duplex Unit is not installed, go to step **4**.

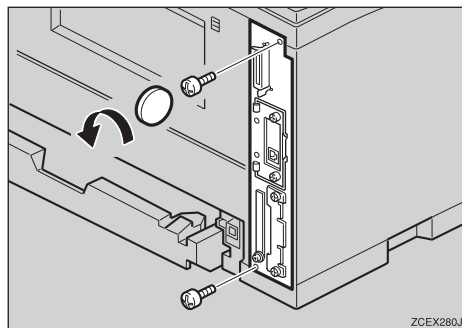
- 3** If the Duplex Unit is installed, push down the lever on right side (①) and pull it out until the Duplex Unit stops (②).



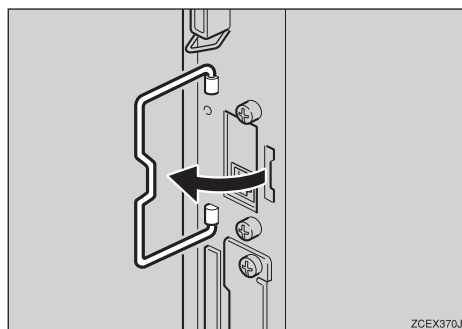
- 4** Use a coin to remove the two screws.

### Note

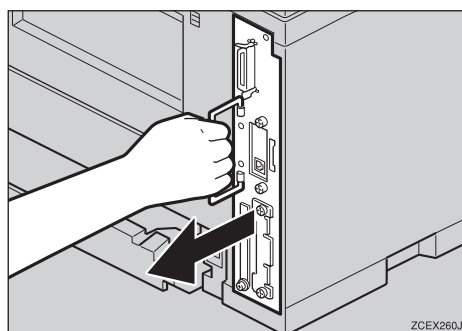
- ❑ The removed screws are required in step **11**.



- 5** Pull out the handle of the controller board.



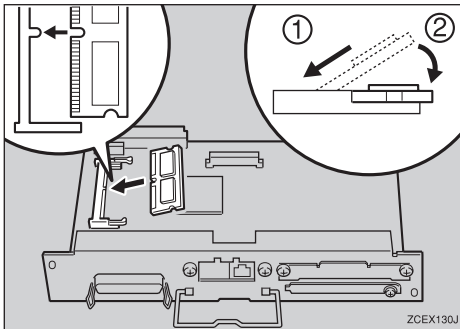
- 6** Pull the handle and slide the controller board out.



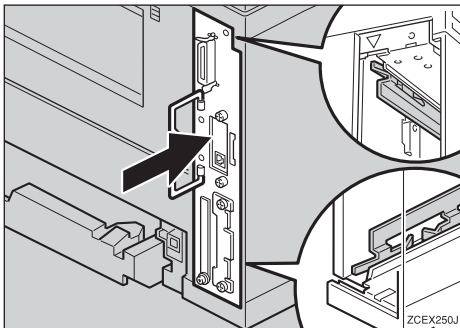
- 7** Place the controller board on a flat surface.



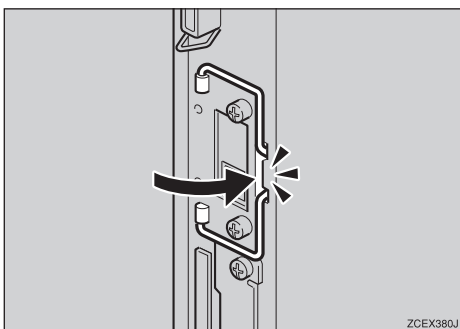
- 8** Tilt the Memory Unit as shown in the illustration to the slot (①), and push it forward (②). It should make click into place.



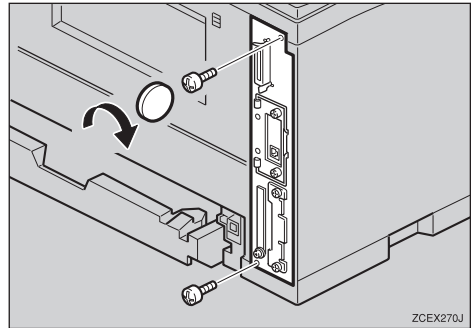
- 9** Set the controller board to the "▽" position, and then slide it into the printer slowly until it stops.



- 10** Push the handle of the controller board until it clicks.



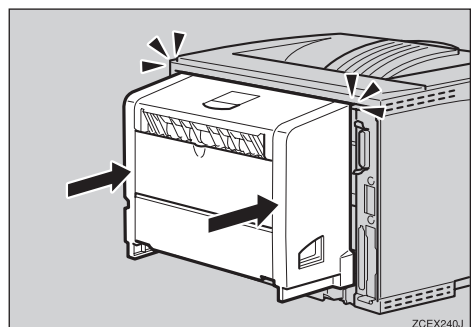
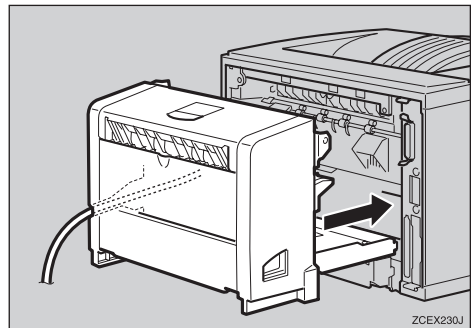
- 11** Fasten the controller board with the two screws to the printer.



**Note**

- If the Duplex Unit is not installed, go to step 14.

- 12** While aligning the power cord to the left side groove of the Duplex Unit, slide it in until it is connected to the printer.



- 13** Attach the interface cable to the printer.

**14** Plug the printer's power cord back into the wall outlet and turn on the power switch.

**15** Print a configuration page to confirm that the Memory Unit is properly installed.

### Important

If you use a Windows operating system, you should set up the Memory Unit with the printer driver to make the printer recognizes the installation. See a description of Windows 95/98/Me, Windows 2000 and Windows NT 4.0 on P.43 "Installing the Printer Driver and Software".

### Note

After installing the last option that you want, print a configuration page to confirm the installation. If the new device is listed in the column of configuration options, then it has been properly installed. For more information about printing a configuration page, see "Printing a Configuration Page" in the Printer Reference provided as a PDF file on the CD-ROM labeled "Operating Instructions".

## Installing Hard Disk Drive Type 2600

### Important

The Hard Disk Drive can be damaged by small amount of static electricity. You should touch some metal to discharge static electricity.

**1** Check the contents of the box for the following items:

- Hard Disk Drive
- Installation Guide

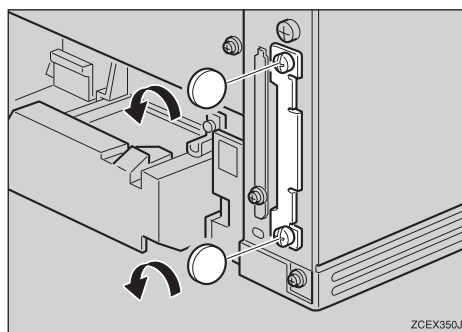
**2** Be sure to check the following points:

- The power switch is turned off.
- The power cord is unplugged from the wall outlet.
- The interface cable is unplugged from the printer.

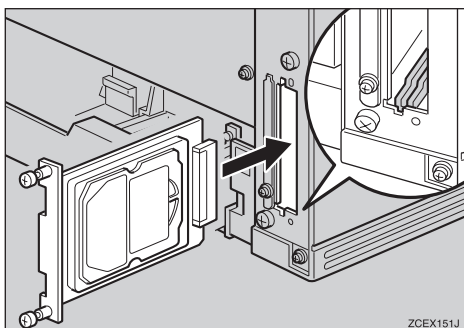
**3** Use a coin to remove the two screws, and then remove the cover.

### Note

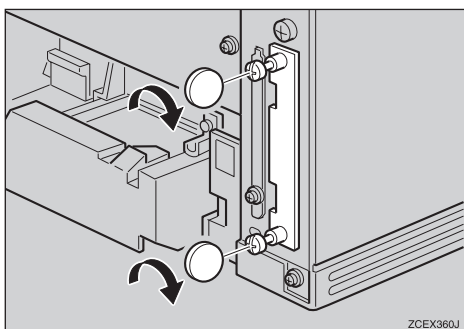
The screws and cover are not need when installing the Hard Disk Drive.



- 4** Slowly insert the Hard Disk Drive while aligning it with the top and bottom rails in the printer, until it stops.



- 5** Use the two screws to fasten the Hard Disk Drive.



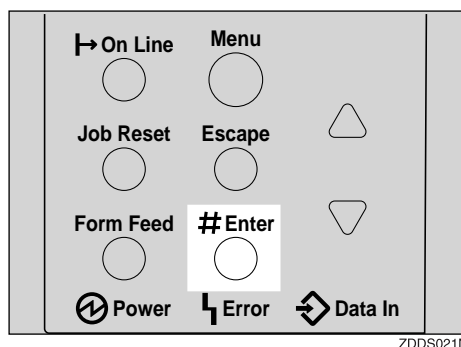
- 6** Attach the interface cable to the printer.

- 7** Plug the printer's power cord back into the wall outlet and turn on the power switch.

The following message appears on the panel display.

```
HDD error
initialize?
```

- 8** Press [Enter #]. The Hard Disk Drive is formatted. Wait for a while.



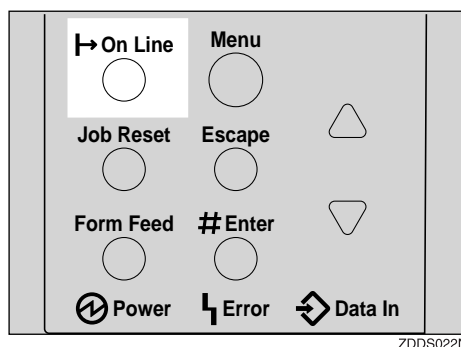
### Important

- Do not turn off the printer while formatting the Hard Disk Drive. Turning off the printer while formatting the Hard Disk Drive can damage the Hard Disk Drive.

If you successfully format the Hard Disk Drive, the following message appears on the panel display.

```
HDDinitialize
finish:OK
```

- 9** Press [Online].



“Ready” message appears on the panel display.

```
Ready
```

**Important**

- ❑ If you use a Windows operating system, you should set up the Hard Disk Drive with the printer driver to make the printer recognizes the installation. See a description of Windows 95/98/Me, Windows 2000 and Windows NT 4.0 on P.43 *"Installing the Printer Driver and Software"*.

**Note**

- ❑ After installing the last option that you want, print a configuration page to confirm the installation. If the new device is listed in the column of configuration options, then it has been properly installed. For more information about printing a configuration page, see *"Printing a Configuration Page"* in the Printer Reference provided as a PDF file on the CD-ROM labeled "Operating Instructions".

**Reference**

See *"Making Printer Settings with the Operation Panel"* in the Printer Reference provided as a PDF file on the CD-ROM labeled "Operating Instructions".

**Formatting Hard Disk Drive Type 2600**

If you are formatting the Hard Disk Drive for the first time, follow the procedures below using the operation panel.

**1 Press [Menu].**

"Menu" appears on the panel display.

**2 Press [▲] or [▼] to display "Maintenance" menu.**

```
Menu:
Maintenance
```

**3 Press [Enter #].**

The following message appears on the panel display.

```
Menu:
Image Density
```

**4 Press [▲] or [▼] to display "HDD Format".**

```
Menu:
HDD Format
```

**5 Press [Enter #].**

The following message appears on the panel display.

```
HDD Format:
Press# To Start
```

**6** Press [Enter #].**Important**

- Do not turn off the printer while formatting the Hard Disk Drive. Turning off the printer while formatting the Hard Disk Drive can damage the Hard Disk Drive.

If you successfully format the Hard Disk Drive, the following message appears on the panel display.

```
Format Completed
Restart Printer
```

**Note**

- If you fail, see "Troubleshooting" in the Printer Reference provided as a PDF file on the CD-ROM labeled "Operating Instructions".

**7** Turn off the power switch, and then turn it back on.**Installing Network Interface Board Type 2600****Note**

- See the inside front cover of this manual to confirm which printer (Type 1 or Type 2) you have.
- The Network Interface Board and the 1394 Interface Unit cannot be installed to the printer at the same time.

**Important**

- The Network Interface Board can be damaged by small amount of static electricity. You should touch some metal to discharge static electricity.
- Use the shielded twisted-pair (STP) network interface cable.

**Installing the Network Interface Board****1** Check the contents of the box for the following items:

- Network Interface Board
- Ferrite Core
- Installation Guide

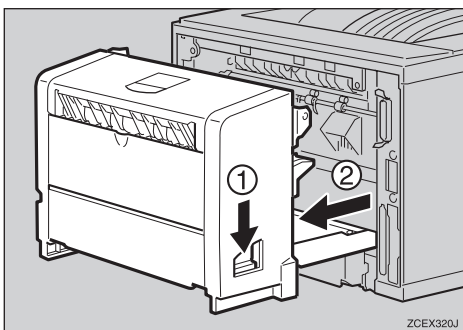
**2** Be sure to check the following points:

- The power switch is turned off.
- The power cord is unplugged from the wall outlet.
- The interface cable is unplugged from the printer.

**Note**

- The interface cable is not included in the box. Make sure that the interface cable you use, is appropriate for your computer.
- If the Duplex Unit is not installed, go to step **4**.

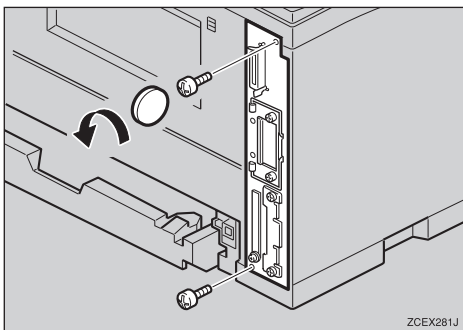
- 3** If the Duplex Unit is installed, push down the lever on right side (1) and pull it out until the Duplex Unit stops (2).



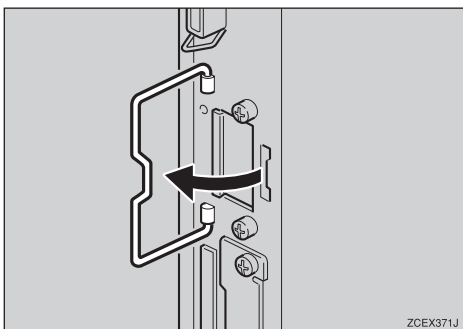
- 4** Use a coin to remove the two screws.

**Note**

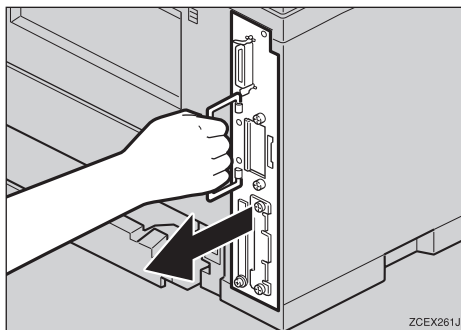
- These screws are used again in step 10.



- 5** Pull out the handle of the controller board.



- 6** Pull the handle and slide the controller board out.

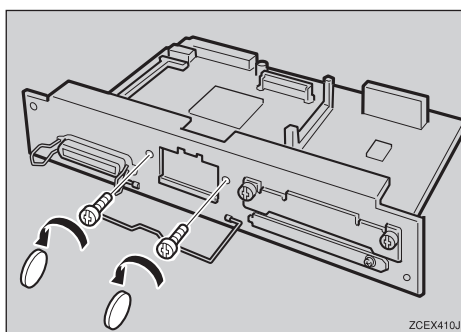


- 7** Place the controller board on a flat surface.

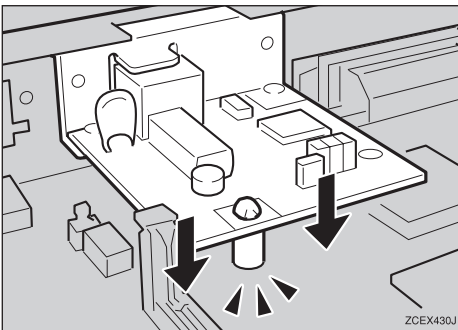
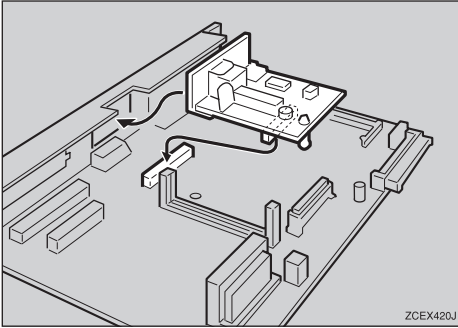
- 8** Use a coin to remove the two screws, and then remove the cover.

**Note**

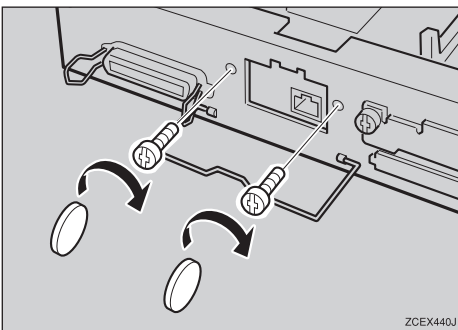
- These screws are used again in step 10.
- The removed cover is not required to install the Network Interface Board.



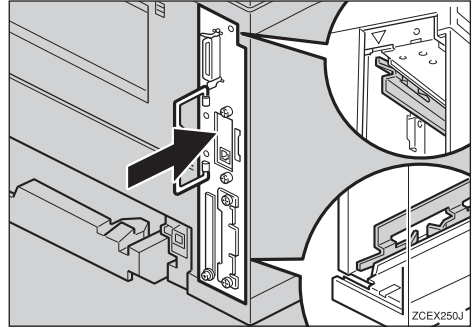
- 9** Attach the positioning peg of the Network Interface Board to the hole of the controller board.



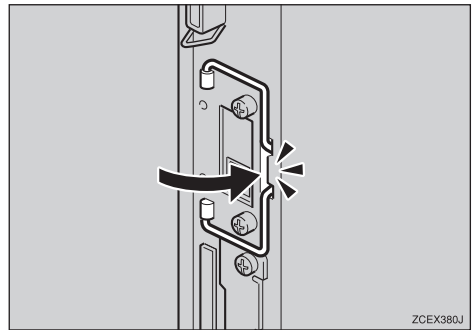
- 10** Use the two screws to fasten the Network Interface Board to the controller board.



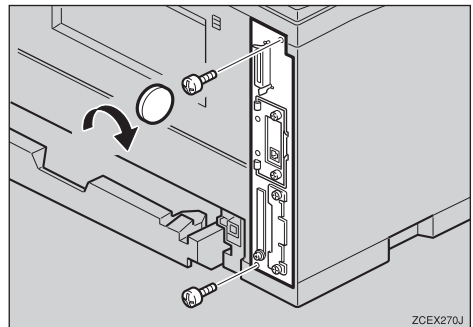
- 11** Set the controller board to the "▽" position, and then slide it into the printer slowly until it stops.



- 12** Push in the handle of the controller board until it clicks.



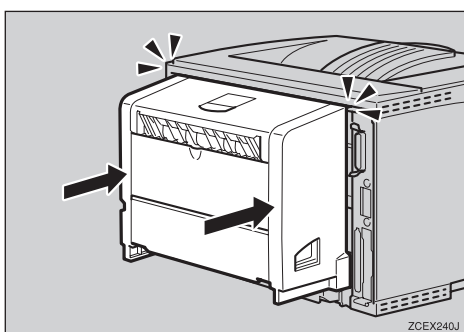
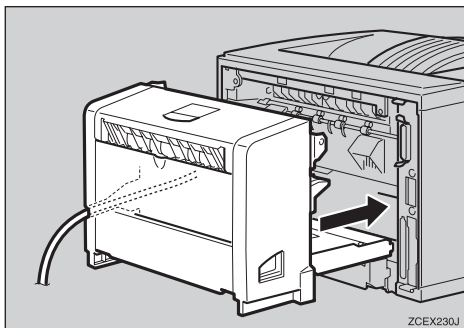
- 13** Fasten the controller board with the two screws to the printer.



**Note**

- If the Duplex Unit is not installed, go to step 15.

- 14** While aligning the power cord to the left side groove of the Duplex Unit, slide it in until it is connected to the printer.



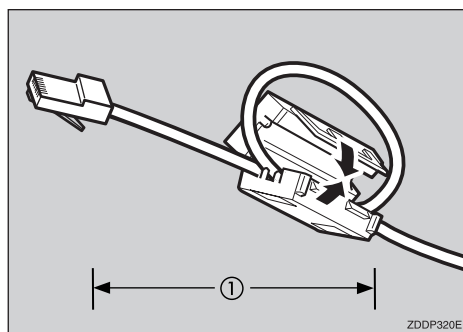
- 15** Plug the printer's power cord back into the wall outlet and turn on the power switch.

## Connecting the network interface cable to the network

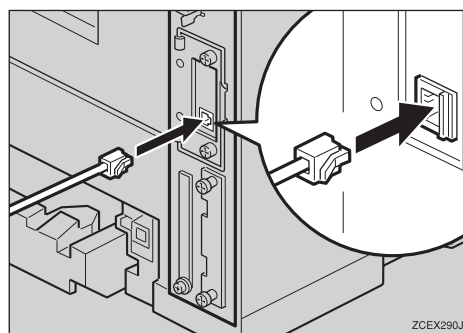
- 1** Turn off the power switch.
- 2** Loop the network interface cable and attach the ferrite core.

 **Note**

- The network interface cable loop should be about 15 cm (6") (①) from the end of the cable (on the end closet to the printer). The ferrite core at the end of the cable should be a ring type ferrite core.



- 3** Attach the network interface cable to the jack on the board.



- 4** Connect the other end of the network interface cable to the network.



## 5 Turn on the power switch.

### Note

- If the Network Interface Board is installed correctly, the information about network settings (e.g. IP address) is listed in the configuration page. See "*Printing a Configuration Page*" in the Printer Reference provided as a PDF file on the CD-ROM labeled "Operating Instructions".

### Reference

For more information, see P.37 "*Configuring the Printer for the Network*".

## Installing 1394 Interface Unit Type 2600

### Note

- See the inside front cover of this manual to confirm which printer (Type 1 or Type 2) you have.
- The 1394 Interface Unit and the Network Interface Board cannot be installed to the printer at the same time.

### Important

- In Windows 2000, the 1394 Interface Unit can only be used with Service Pack 1 or later. If the Service Pack is not installed, the connectable number of device in a 1394 bus is only one, and the client cannot access the 1394 Interface Unit without using an account has the Administrators permission.
- The optional 1394 Interface Unit is not supported by Windows 95/98/Me. If the "plug and play" function starts, click **[Cancel]** in the **[New Hardware Found]** or **[New Device Wizard]** dialog box.
- The 1394 Interface Unit can be damaged by small amount of static electricity. You should touch some metal to discharge static electricity.
- Use the 1394 interface cable that comes with this printer.
- Do not plug or unplug the 1394 interface cable while installing the printer driver.
- Do not turn off or on the device while installing the printer driver.
- When the 1394 Interface Unit is installed, uninstall the printer driver after the 1394 interface cable is unplugged.

## Installing the 1394 Interface Unit

**1** Check the contents of the box for the following items:

- 1394 Interface Unit
- 1394 interface cable (6 pin x 4 pin)
- 1394 interface cable (6 pin x 6 pin)
- Installation Guide

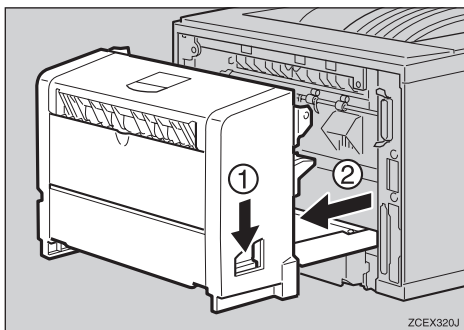
**2** Be sure to check the following points:

- The power switch is turned off.
- The power cord is unplugged from the wall outlet.
- The interface cable is unplugged from the printer.

**Note**

- If the Duplex Unit is not installed, go to step **4**.

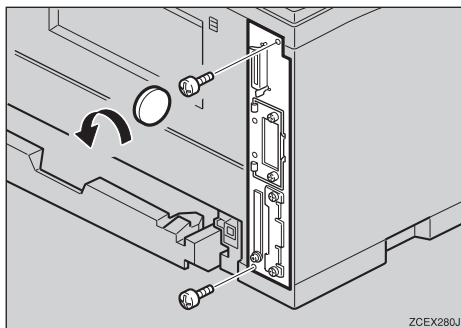
**3** If the Duplex Unit is installed, push down the lever on right side (①) and pull it out until the Duplex Unit stops (②).



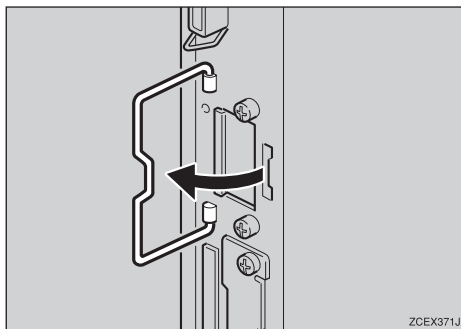
**4** Use a coin to remove the two screws.

**Note**

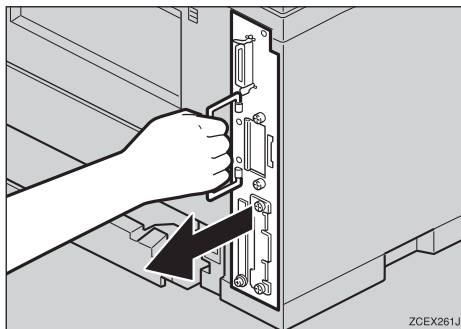
- These screws are used again in step **7**.



**5** Pull out the handle of the controller board.



**6** Pull the handle and slide the controller board out.

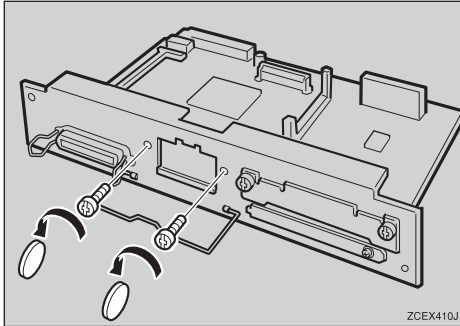


**7** Place the controller board on a flat surface.

- 8** Use a coin to remove the two screws, and then remove the cover.

**Note**

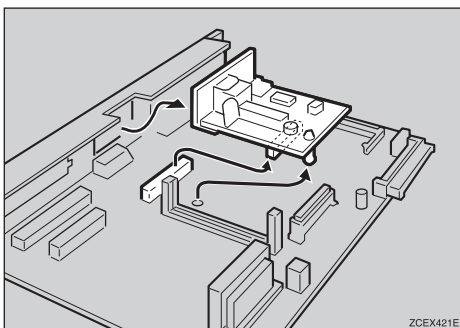
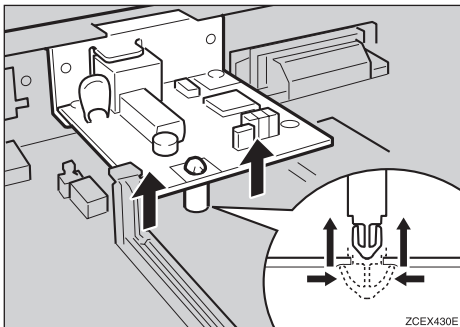
- These screws are used again in step 10.



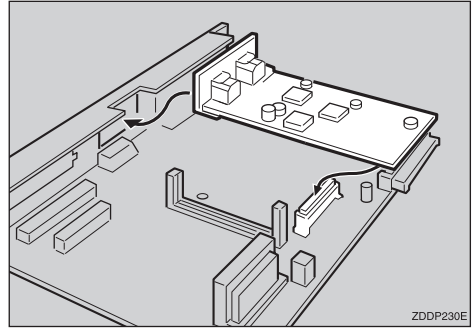
- 9** To uninstall the Network Interface Board, pinch and push the positioning peg. If the Network Interface Board is not installed, go to step 10.

**Important**

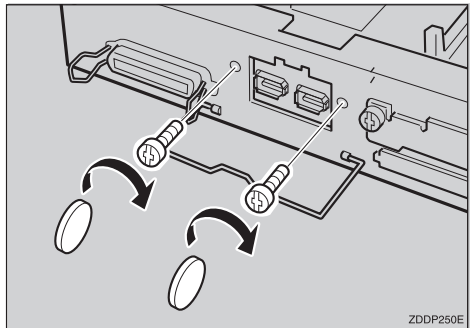
- When you uninstall the Network Interface Board, be careful not to damage the controller board.



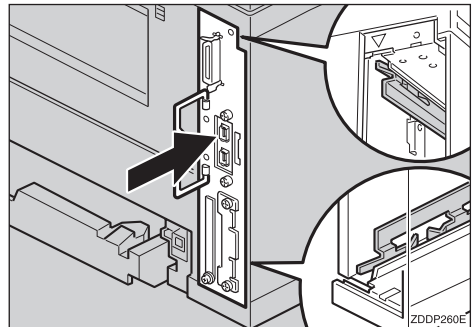
- 10** Attach the 1394 Interface Unit to the Slot until it clicks.



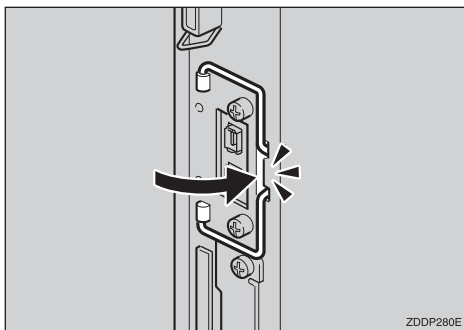
- 11** Use the two screws to fasten the 1394 Interface Unit to the controller board.



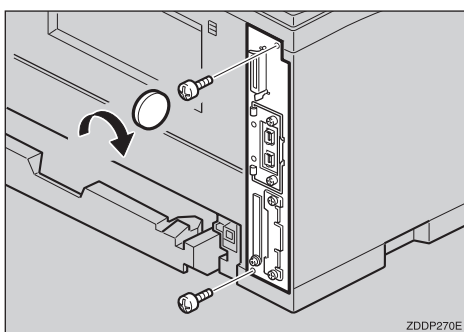
- 12** Set the controller board to the "▽" position, and then slide it into the printer slowly until it stops.



- 13** Push in the handle of the controller board until it clicks.



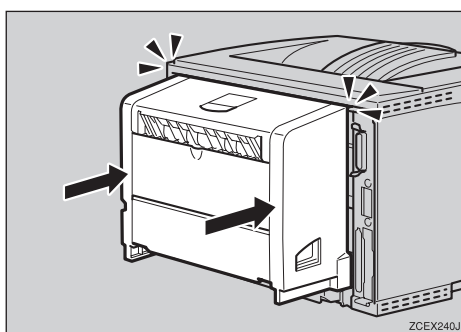
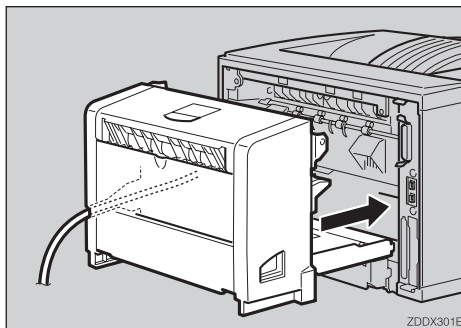
- 14** Fasten the controller board with the two screws to the printer.



**Note**

- If the Duplex Unit is not installed, go to step 16.

- 15** While aligning the power cord to the left side groove of the Duplex Unit, slide it in until it is connected to the printer.

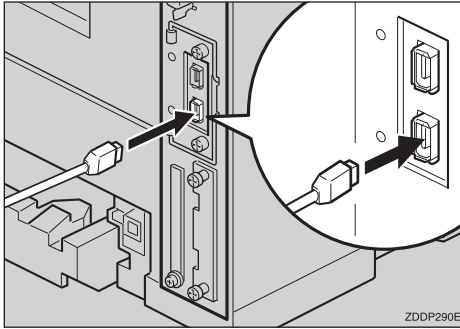


- 16** Plug the printer's power cord back into the wall outlet and turn on the power switch.

## Connecting the 1394 interface cable to the printer

- 1 Attach the 1394 interface cable to the jack on the board.

Both jacks are available.



- 2 Connect the other end of the 1394 interface cable to the computer or the other IEEE 1394 node.

### Note

- The 1394 Interface Unit could not receive data from more than one PC at the same time. In this case, an error message appears. The printer can accept data sent from other PCs, after the first print job has finished.
- The bidirectional transmissions are not supported by the 1394 Interface Unit.
- When the 1394 Interface Unit is installed successfully, the printer icon automatically changes from "Use Printer Offline" to "Ready", according to the 1394 interface cable plug.
- After installing the last option that you want, print a configuration page to confirm the installation. If the new device is listed in the column of configuration options, then it has been properly installed. For more information about printing a configuration page, see "Printing a Configuration Page" in the Printer Reference provided as a PDF file on the CD-ROM labeled "Operating Instructions".

## 1394 Interface Unit specification

- ❖ **Interface Connector:**  
IEEE 1394 (6 pin × 2)
- ❖ **Required cable:**  
1394 interface cable (6 pin × 4 pin, 6 pin × 6 pin)
- ❗ **Important**
  - You cannot plug devices together so as to create loops.
  - Do not use a cable more than 4.5 meters (14.8 feet) long.
- ❖ **Connectable number of device in a bus**  
Maximum 63
- ❖ **Allowed cable hops in a bus**  
Maximum 16
- ❖ **Power supply**  
Non power supply



# 3. Configuring the Printer for the Network

## Configuring the Printer for the Network with the Operation Panel

After installing the optional Network Interface Board, configure it for the network using the printer's operation panel.

Configure the printer for the network using the printer's operation panel.

The following table shows the operation panel settings and their default settings. These are included in the "Host Interface" menu.

### Reference

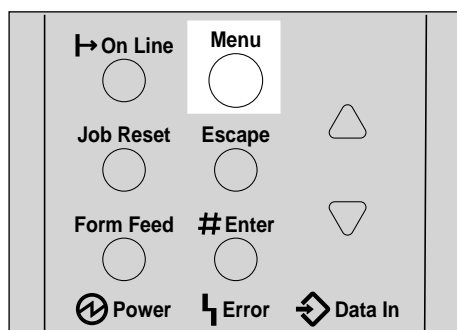
For information about configuring the computer for the network, see the Network Interface Board Operating Instructions provided as a PDF file on the CD-ROM labeled "Operating Instructions".

For information about "Host Interface" menu, see "Host Interface Menu" in the Printer Reference provided as a PDF file on the CD-ROM labeled "Operating Instructions".

Setting Name	Value
IP Address	000.000.000.000
Subnet Mask	000.000.000.000
Gateway Address	000.000.000.000
Access Control (Access Control Address)	000.000.000.000
Access Mask (Access Control Mask)	000.000.000.000
Network Boot	None
Frame Type (NW) (Frame type NetWare)	Auto Select
Active Protocol	TCP/IP <input type="radio"/> *1
	NetWare <input type="radio"/> *1
	NetBEUI <input type="radio"/> *1
	AppleTalk <input type="radio"/> *1
Ethernet	Auto

\*1  means that this protocol is active.

### Press [Menu].



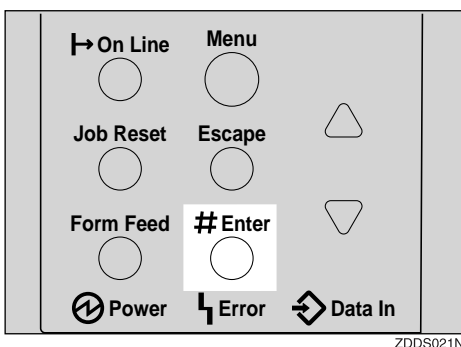
ZDDS020N

"Menu" appears on the panel display.

- Press **[▲]** or **[▼]** to display “Host Interface” menu.

```
Menu:
Host Interface
```

- Press **[Enter #]**.



The following message appears on the panel display.

```
Host Interface:
I/O Buffer
```

- Press **[▲]** or **[▼]** to display “Network Setup”.

```
Host Interface:
Network Setup
```

- Press **[Enter #]**.

The following message appears on the panel display.

```
Network Setup:
IP Address
```

- Select the protocol you want to use.

**Note**

- Do not select protocols that are not used on your network.

- Press **[▲]** or **[▼]** to display “Active Protocol”.

```
Network Setup:
Active Protocol
```

- Press **[Enter #]**.

The current setting appears on the panel display.

```
Active Protocol:
TCP/IP
```

- Press **[▲]** or **[▼]** to display the protocol you want to use.

- Press **[Enter #]**.

The actual procedure may differ depending on the protocol you use. Follow the appropriate procedure.

TCP/IP	<b>7</b> ▶ <b>8</b> ▶ <b>9</b> ▶ <b>10</b> ▶ <b>12</b>
NetWare	<b>11</b> ▶ <b>12</b>
Apple-Talk	<b>12</b>
NetBEUI	<b>12</b>

- If you use TCP/IP, you should assign the IP address to the printer.

**Note**

- To get the IP address for the printer, contact your network administrator.

- Press **[▲]** or **[▼]** until the following message appears.

```
Network Setup:
IP Address
```



**2** Press **[Enter #]**.

The current IP address appears on the panel display.

```
IP Address:
000.000.000.000
```

**3** Press **[▲]** or **[▼]** to enter the leftmost entry field of the IP address.

```
IP Address:
011.000.000.000
```

**4** Press **[Enter #]**.

The pointer (█) moves to the next entry field automatically.

```
IP Address:
011.00█.000.000
```

**Note**

- You can return the pointer (█) to the previous (left) entry field by pressing **[Escape]**.
- If you press **[Escape]** when the pointer (█) is on the leftmost position, the selected IP address is reset.

**5** Repeat steps **3** and **4** to enter the IP address.

```
IP Address:
011.022.033.044
```

Check if the pointer (█) is at the rightmost position, and press **[Enter #]** to register the IP address you selected.

```
Network Setup:
IP Address
```

**8** If you use TCP/IP, you should assign "Subnet Mask" and "Gateway Address" following the same procedure for entering the IP address.**9** If you use TCP/IP, set the "Access Control" and "Access Mask" following the same procedure for entering the IP address, if necessary.**10** If you use TCP/IP, you can make settings for "Network Boot".

You can select how to assign the printer's address using the computer. Select one of the items below if necessary.

- None (Default)
- DHCP

**1** Press **[▲]** or **[▼]** to display "Network Boot".

```
Network Setup:
Network Boot
```

**2** Press **[Enter #]**.

The current setting appears on the panel display.

```
Network Boot:
*None
```

**3** Press **[▲]** or **[▼]** to display the method you want to use.**4** Press **[Enter #]**.

**11** If you use NetWare, select the frame type for NetWare.

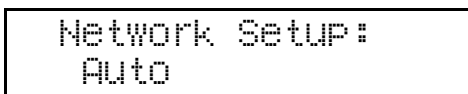
Select one of items below if necessary.

- Auto (Default)
- Ethernet 802.3
- Ethernet 802.2
- Ethernet II
- EthernetSNAP

**Note**

Usually, use the default setting (“Auto”). When if you first select “Auto”, the frame type detected by the printer is adopted. If your network can use more than two frame types, the printer may fail to select the correct frame type if “Auto” is selected. In this case, select the appropriate frame type.

1 Press **[▲]** or **[▼]** to display “Frame Type (NW)”.



2 Press **[Enter #]**.

The current setting appears on the panel display.

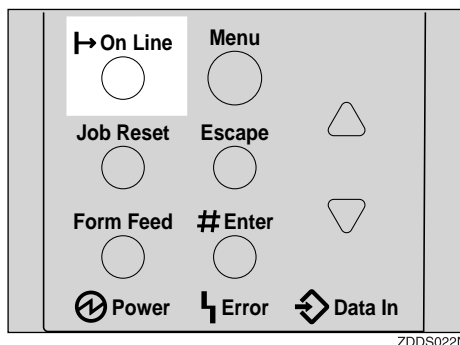


3 Press **[▲]** or **[▼]** to display the frame type you want to use.

4 Press **[Enter #]**.

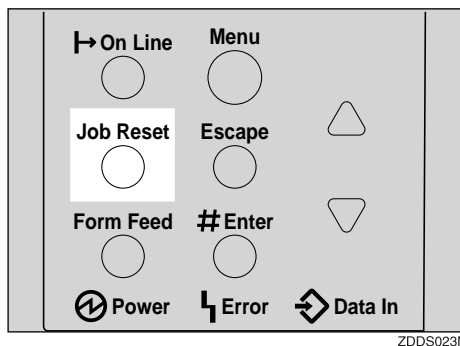
**12** Reset the printer to apply the settings.

1 Press **[Online]** to enter the “Offline” condition.



The **Online** indicator turns off.

2 Press **[Job Reset]**.



**13** Print the configuration page to check settings you have made.

1 Press **[Menu]**.

2 Press **[▲]** or **[▼]** to display “List/Test Print” menu.

3 After confirming that “Config. Page” is on the display, press **[Enter #]**.

4 Press **[Enter #]**.

The configuration page is now printed. Check the contents of the configuration page.

5 Press **[Online]**.

“Ready” message appears on the panel display.



 **Address**
**◆ Subnet Mask**

A number used to mathematically “mask” or hide an IP address on the network by eliminating those parts of the address that are alike for all the machines on the network.

**◆ Gateway Address**

A gateway is a connection or interchange point that connects two networks. A gateway address is for the router or host computer used as a gateway.

 **Note**

- To get the addresses, contact your network administrator.

**◆ Access Control Address and Access Control Mask**

The Access Control Address and Access Control Mask are used to control the IP addresses that have access to the computer used for printing. If it is not necessary for you to control the access rights, select “000.000.000.000”.

 **Note**

- When the Access Control Address settings coincide with the masked result of the IP address of the computer, print jobs from that IP address can be accepted by the Network Interface Board.
- For example, if you assign 192.168.15.16 as the Access Control Address to the Network Interface Board, the combination of the Access Control Mask and IP address that can have access are as follows. (xxx : for any numerical value)

Access Control Mask	IP Addresses that have access
000.000.000.000	xxx.xxx.xxx.xxx
255.000.000.000	192.xxx.xxx.xxx
255.255.000.000	192.168.xxx.xxx
255.255.255.000	192.168. 15.xxx
255.255.255.255	192.168. 15. 16



# 4. Installing the Printer Driver and Software

This manual assumes that you are familiar with general Windows procedures and practices. If you are not, see the documentation that comes with Windows for details.

## Installation Method

The following table shows how to install the printer drivers and software.

	Auto Run <sup>*1</sup>			Add Printer Wizard
	Typical <sup>*2</sup>	Network <sup>*3</sup>	Custom <sup>*4</sup>	
PCL 6 printer driver	<input type="radio"/>	<input type="radio"/>	<input type="radio"/>	
PCL 5e printer driver			<input type="radio"/>	
RPCS printer driver	<input type="radio"/>	<input type="radio"/>	<input type="radio"/>	
PostScript printer driver				<input type="radio"/>
Agfa Font Manager			<input type="radio"/>	
PRINTER MANAGER FOR ADMINISTRATOR			<input type="radio"/>	
PRINTER MANAGER FOR CLIENT		<input type="radio"/>	<input type="radio"/>	
PortNavi		<input type="radio"/>	<input type="radio"/>	
Multidirect Print			<input type="radio"/>	

<sup>\*1</sup> Available operating systems are as follows: Windows 95/98/Me, Windows 2000, Windows NT 4.0

<sup>\*2</sup> Recommended for most users.

<sup>\*3</sup> Recommended for network printing users.

<sup>\*4</sup> Recommended for expert users.

### Reference

For more information about the printer drivers, see P.2 “Printer Drivers for This Printer”. For installing the printer drivers, see P.46 “Installing the PCL 6/5e Printer Driver”, P.51 “Installing the RPCS Printer Driver” or P.55 “Installing the PostScript Printer Driver”.

For more information about the software and utilities, see P.4 “Software and Utilities Included on the CD-ROM”.

### Important

- Before starting this installation, close all documents and applications. In a network environment, confirm that users who are logged on are disconnected. Be sure to do this when it will create the least interference with other users.
- After installing a printer driver, you must restart the computer.

 **Note**

- If the "plug and play" function is started, click **[Cancel]** in the **[New Hardware Found]**, **[Device Driver Wizard]** or **[Found New Hardware Wizard]** dialog box, and then insert the CD-ROM. The **[New Hardware Found]**, **[Device Driver Wizard]** or **[Found New Hardware Wizard]** dialog box appears depending on the system version of the Windows 95/98/Me or Windows 2000.
- The appropriate language name is used for the CD-ROM folder: ENGLISH (English), DEUTSCH (German), FRANCAIS (French), ITALIANO (Italian), ESPANOL (Spanish), NEDRLNDS (Dutch), NORSK (Norwegian), DANSK (Danish), SVENSKA (Swedish), POLSKI (Polish), PORTUGUS (Portuguese), SUOMI (Finnish), MAGYAR (Hungarian), CESKY (Czech)

# Installing by Auto Run

You can install the PCL and the RPCS printer drivers and software, and set them up easily by using Auto Run.

Follow these steps to install the PCL and the RPCS printer drivers and software on Windows 95/98/Me, Windows 2000, Windows NT 4.0.

## Limitation

- If your system is Windows 2000 or Windows NT 4.0, installing a printer driver by Auto Run requires Administrators permission. When you install a printer driver by Auto Run, log on using an account that has Administrators permission.

## Note

- Auto Run might not automatically work with certain OS settings. In this case, launch "INSTTOOL.EXE" located on the CD-ROM root directory.
- If you want to cancel Auto Run, hold down the **[SHIFT]** key (when your system is Windows 2000, hold down the left **[SHIFT]** key) while inserting the CD-ROM. Keep the **[SHIFT]** key held down until the computer has finished accessing the CD-ROM.

- 1** Close all applications that are running.
- 2** Insert the CD-ROM into the CD-ROM drive.
- 3** Follow the instructions on the screen.
- 4** Restart the computer after installation is complete.
- 5** Set up the options with the printer driver.

# Installing the PCL 6/5e Printer Driver

---

## Windows 95/98/Me - Installing the PCL 6/5e Printer Driver

---

---

### Installing the printer driver

---

The following instructions explain how to install the PCL6/5e printer driver. See P.45 “*Installing by Auto Run*” .

Two kinds of PCL printer driver, PCL 6 and PCL 5e, are provided with this printer. We recommend PCL 6 as your first choice.

4

#### **Note**

- Some of your applications might require the installation of the PCL 5e printer driver. In this case, you can install PCL 5e by using custom installation.

---

### Setting up options

---

#### **Important**

- If the printer is equipped with certain options (e.g. the Paper Feed Unit or the Memory Unit), you should set up the options with the printer driver.

#### **Note**

- When setting up options, you should access the **[Printer Properties]** dialog box from Windows. You cannot set up options by accessing the **[Printer Properties]** dialog box from an application.

**1** Click **[Start]** on the taskbar, point to **[Settings]**, and then click **[Printers]**.

The **[Printers]** window appears.

**2** Click the icon of the printer you want to use. On the **[File]** menu, click **[Properties]**.

**3** Click the **[Accessories]** tab.

**4** Select options you have installed from the **[Options]** group.

**5** Click **[OK]** .



---

## Windows 2000 - Installing the PCL 6/5e Printer Driver

---

---

### Installing the printer driver

---

Install the driver in accordance with the steps explained. See P.45 “*Installing by Auto Run*”.

Two kinds of PCL printer driver, PCL 6 and PCL 5e, are provided with this printer. We recommend PCL 6 as your first choice.

 **Note**

- Some of your applications might require the installation of the PCL 5e printer driver. In this case, you can install PCL 5e by using custom installation.

 **Limitation**

- Installing a printer driver by Auto Run requires Administrators permission. When you install a printer driver by Auto Run, log on using an account that has Administrators permission.

 **Note**

- During installation, the **[Digital Signature Not Found]** dialog box appears. In this case, click **[Yes]** to continue the installation.

When prompted for the Windows 95/98/Me alternate printer driver location, select one of the following folders on the CD-ROM:

- PCL 6  
  \DRIVERS\PCL6\WIN95\_98\ (Language)\DISK1\  
  \DRIVERS\PCL6\WIN95\_98\ (Language)\DISK1\
- PCL 5e  
  \DRIVERS\PCL5E\WIN95\_98\ (Language)\DISK1\  
  \DRIVERS\PCL5E\WIN95\_98\ (Language)\DISK1\

When prompted for the Windows NT 4.0 alternate driver location, select one of the following folders on the CD-ROM:

- PCL 6  
  \DRIVERS\PCL6\NT4\ (Language)\DISK1\  
  \DRIVERS\PCL6\NT4\ (Language)\DISK1\
- PCL 5e  
  \DRIVERS\PCL5E\NT4\ (Language)\DISK1\  
  \DRIVERS\PCL5E\NT4\ (Language)\DISK1\

---

## Setting up options

---

### Limitation

- Changing the printer settings requires Manage Printers permission. Members of the Administrators and Power Users groups have Manage Printers permission by default. When you set up options, log on using an account that has Manage Printers permission.

### Important

- If the printer is equipped with certain options (e.g. the Paper Feed Unit or the Memory Unit), you should set up the options with the printer driver.

### Note

- When setting up options, you should access the **[Printer Properties]** dialog box from Windows. You cannot set up options by accessing the **[Printer Properties]** dialog box from an application.

**1** Click **[Start]** on the taskbar, point to **[Settings]**, and then click **[Printers]**.

The **[Printers]** window appears.

**2** Click the icon of the printer you want to use. On the **[File]** menu, click **[Properties]**.

**3** Click the **[Accessories]** tab.

**4** Select options you have installed from the **[Options]** group.

**5** Click **[OK]**.

---

## Windows NT 4.0 - Installing the PCL 6/5e Printer Driver

---

---

### Installing the printer driver

---

#### **Limitation**

- Installing a printer driver by Auto Run requires Administrators permission, when you install a printer driver by Auto Run, log on using an account that has Administrators permission.

Install the driver in accordance with the steps explained. See P.45 “*Installing by Auto Run*”.

Two kinds of PCL printer driver, PCL 6 and PCL 5e, are provided with this printer. We recommend PCL 6 as your first choice.

#### **Note**

- Some of your applications might require the installation of the PCL 5e printer driver. In this case, you can install PCL 5e by using custom installation.

When prompted for the Windows 95/98/Me alternate printer driver location, select one of the following folders on the CD-ROM:

- PCL 6  
  \DRIVERS\PCL6\WIN95\_98\Language\DISK1\  
  \DRIVERS\PCL6\WIN95\_98\Language\DISK1\
- PCL 5e  
  \DRIVERS\PCL5E\WIN95\_98\Language\DISK1\  
  \DRIVERS\PCL5E\WIN95\_98\Language\DISK1\

---

## Setting up options

---

### Limitation

- Changing the setting of the printer requires Full Control access permission. Members of the Administrators, Server Operators, Print Operators, and Power Users groups have Full Control permission by default. When you set up options, log on using an account that has Full Control permission.

### Important

- If the printer is equipped with certain options (e.g. the Paper Feed Unit or the Memory Unit), you should set up the options with the printer driver.

### Note

- When setting up options, you should access the **[Printer Properties]** dialog box from Windows. You cannot set up options by accessing the **[Printer Properties]** dialog box from an application.

**1** Click **[Start]** on the taskbar, point to **[Settings]**, and then click **[Printers]**.

The **[Printers]** window appears.

**2** Click the icon of the printer you want to use. On the **[File]** menu, click **[Properties]**.

**3** Click the **[Accessories]** tab.

**4** Select options you have installed from the **[Options]** group.

**5** Click **[OK]**.

---

# Installing the RPCS Printer Driver

---

---

## Windows 95/98/Me - Installing the RPCS Printer Driver

---

---

### Installing the printer driver

---

Install the driver in accordance with the steps explained. See P.45 “*Installing by Auto Run*” .

---

---

### Setting up options

---

#### Important

- If the printer is equipped with certain options (e.g. the Paper Feed Unit or the Memory Unit), you should set up the options with the printer driver.
- You must set the correct paper size and feed direction that matches tray settings on the printer driver.

#### Note

- When setting up options, you should access the **[Printer Properties]** dialog box from Windows. You cannot set up options by accessing the **[Printer Properties]** dialog box from an application.

- 1** Click **[Start]** on the taskbar, point to **[Settings]**, and then click **[Printers]**.  
The **[Printers]** window appears.
- 2** Click the icon of the printer you want to use. On the **[File]** menu, click **[Properties]**.
- 3** Click the **[Print Settings]** tab.
- 4** Click **[Printer Configuration...]**.
- 5** Click **[Change Accessories...]**.
- 6** Select options you have installed from the **[Select Printer Options:]** box.
- 7** Make settings and click **[OK]**.
- 8** Click **[OK]** to close the **[Printer Configuration]** dialog box.
- 9** Click **[OK]** to start printing.

---

## Windows 2000 - Installing the RPCS Printer Driver

---

---

### Installing the printer driver

---

The following instructions explain how to install the RPCS printer driver. See P.45 “*Installing by Auto Run*”.

#### **Limitation**

- Installing a printer driver by Auto Run requires Administrators permission. When you install a printer driver by Auto Run, log on using an account that has Administrators permission.

#### **Note**

- During installation, the **[Digital Signature Not Found]** dialog box appears. Click **[Yes]** to continue the installation.

When prompted for the Windows 95/98/Me alternate printer driver location, select the following folder on the CD-ROM.

`\DRIVERS\RPCS\WIN95_98\ (Language)\DISK1\`

When prompted for the Windows NT 4.0 alternate driver location, select the following folder on the CD-ROM.

`\DRIVERS\RPCS\NT4\ (Language)\DISK1\`

---

### Setting up options

---

#### **Limitation**

- Changing the printer settings requires Manage Printers permission. Members of the Administrators and Power Users groups have Manage Printers permission by default. When you set up options, log on using an account that has Manage Printers permission.

#### **Important**

- If the printer is equipped with certain options (e.g. the Paper Feed Unit or the Memory Unit), you should set up the options with the printer driver.
- You must set the correct paper size and feed direction that matches tray settings on the printer driver.

#### **Note**

- When setting up options, you should access the **[Printer Properties]** dialog box from Windows. You cannot set up options by accessing the **[Printer Properties]** dialog box from an application.

- 1** Click **[Start]** on the taskbar, point to **[Settings]**, and then click **[Printers]**. The **[Printers]** window appears.

- 2** Click the icon of the printer you want to use. On the **[File]** menu, click **[Properties]**.
- 3** Click the **[Accessories]** tab.
- 4** Select options you have installed from the **[Options]** group.
- 5** Click **[OK]** .

---

## Windows NT 4.0 - Installing the RPCS Printer Driver

---

---

### Installing the printer driver

---

#### **Limitation**

- Installing a printer driver by Auto Run requires Administrators permission. When you install a printer driver by Auto Run, log on using an account that has Administrators permission.

Install the driver in accordance with the steps explained. ⇒ P.45 “Installing by Auto Run”

When prompted for the Windows 95/98/Me alternate printer driver location, select the following folder on the CD-ROM.

`\DRIVERS\RPCS\WIN95_98\(\Language)\DISK1\`

---

### Setting up options

---

#### **Limitation**

- Changing the setting of the printer requires Full Control access permission. Members of the Administrators, Server Operators, Print Operators, and Power Users groups have Full Control permission by default. When you set up options, log on using an account that has Full Control permission.

#### **Important**

- If the printer is equipped with certain options (e.g. the Paper Feed Unit or the Memory Unit), you should set up the options with the printer driver.
- You must set the correct paper size and feed direction that matches tray settings on the printer driver.

#### **Note**

- When setting up options, you should access the **[Printer Properties]** dialog box from Windows. You cannot set up options by accessing the **[Printer Properties]** dialog box from an application.

**1** Click **[Start]** on the taskbar, point to **[Settings]**, and then click **[Printers]**.

The **[Printers]** window appears.

**2** Click the icon of the printer you want to use. On the **[File]** menu, click **[Properties]**.

**3** Click the **[Change Accessories]** tab.

**4** Select options you have installed from the **[Select Printer Options:]** box.

**5** Click **[OK]**.



# Installing the PostScript Printer Driver

This section describes basic instructions for installing the printer driver. The actual procedure may differ depending on the operating system. Follow one of the appropriate procedures below.

## Important

- When updating the printer driver by installing the latest version, you should uninstall that of former version if any. See *“Uninstalling the Printer Driver and Software”* in the Printer Reference provided as a PDF file on the CD-ROM labeled "Operating Instructions".

---

## Windows 95/98/Me - Installing the PostScript Printer Driver

---

4

---

### Installing the printer driver

---

## Important

- Be sure to install the PPD file for Windows 95/98/Me. Do not accidentally install the PPD file for Windows 2000 or Windows NT 4.0.

**1** Close all applications that are currently running.

**2** Click **[Start]** on the taskbar, point to **[Settings]**, and then click **[Printers]**.  
The **[Printers]** window appears.

**3** Double-click the **[Add Printers]** icon.  
**[Add Printer Wizard]** starts.

**4** Click **[Next]**.

**5** Check **[Local Printer]** and click **[Next]**.  
A dialog box for selecting the printer manufacturer and model name appears.

**6** Click **[Have Disk]**.  
A dialog box for installing the printer driver from a disk appears.

**7** Hold down the **[SHIFT]** key and insert the CD-ROM into the CD-ROM drive. Keep the **[SHIFT]** key held down until the computer has finished accessing the CD-ROM.

If the Auto Run program starts, click **[Cancel]**.

**8** Click **[Browse]**.

**9** Use the **[Drives:]** list box to select the CD-ROM drive.

- 10** In the [Folders:] box, double-click [DRIVERS], [PS], [WIN95\_98]. Then double-click the folder of the appropriate language for the operating system. Finally, click [DISK1].
- 11** Click [Open].
- 12** Click [OK].
- 13** Click to select the name of the printer whose driver you want to install, and then click [Next].
- 14** In the [Available ports:] box, click to select [Printer Port], and then click [Next].
- 15** Change the name of the printer if you want, and then click [Next].
- 16** Select whether or not you want to print a test page, and then click [Finish].
- 17** If you are asked whether you want to restart Windows, select [Yes]. If you are not asked, restart Windows after completing the installation.

---

## Setting up options

---

### Important

- If the printer is equipped with certain options (e.g. the Paper Feed Unit or the Memory Unit), you should set up the options with the printer driver.

- 1** Click [Start] on the taskbar, point to [Settings], and then click [Printers].  
The [Printers] window appears.
- 2** Click to select the icon of the printer you want to use.
- 3** On the [File] menu, click [Properties].  
The [Printer Properties] dialog box appears.
- 4** Click the [Accessories] tab.
- 5** In the [Options] group, select the option you have installed to the printer.
- 6** Use the [Change settings for:] list box to select the appropriate setting for the selected option.
- 7** Click [Apply] to apply the settings you made.
- 8** Repeat steps **5** – **7** for all options.
- 9** After making all settings for options, click [OK].

---

## Windows 2000 - Installing the PostScript Printer Driver

---

---

### Installing the printer driver

---

#### Limitation

- Installing a printer driver requires Manage Printers permission. Members of the Administrators, and Power Users groups have Manage Printers permission by default. When you install a printer driver, log on using an account that has Manage Printers permission.

#### Important

- Be sure to install the PPD file for Windows 2000. Do not accidentally install the PPD file for Windows 95/98/Me or Windows NT 4.0.

**1** Close all applications that are currently running.

**2** Click **[Start]** on the taskbar, point to **[Settings]**, and then click **[Printers]**.  
The **[Printers]** window appears.

**3** Double-click the **[Add Printers]** icon.  
**[Add Printer Wizard]** starts.

**4** After confirming that the **[Local Printer]** option is selected, click **[Next]**.  
A dialog box for selecting the printer port appears.

**5** Check the check box of the port you want to use, and then click **[Next]**.  
A dialog box for selecting the printer manufacturer and model name appears.

**6** Click **[Have Disk]**.  
A dialog box for installing the driver from a disk appears.

**7** Hold down the left **[SHIFT]** key and insert the CD-ROM into the CD-ROM drive. Keep the left **[SHIFT]** key held down until the computer has finished accessing the CD-ROM.

If the Auto Run program starts, click **[Cancel]**.

**8** Change the drive name in the list box to the name of the CD-ROM drive, and then click **[Browse]**.

**9** In the **[Folders:]** box, double-click **[DRIVERS]**, **[PS]**, **[WIN2000]**. Then double-click the folder of the appropriate language for the operating system. Finally, click **[DISK1]**.

**10** Click **[Open]**.

**11** Click **[OK]**.

A printer model selection dialog box appears.

- 12 Click to select the name of the printer whose driver you want to install, and then click **[Next]**.

A dialog box for changing the printer name appears.

- 13 Change the name of the printer if you want, and then click **[Next]**.

- 14 Click **[Next]**.

- 15 In the next dialog box you will be asked to print a test page, select **[No]** and then click **[Next]**.

A confirmation dialog box appears.

- 16 Confirm the settings you have set, and then click **[Finish]**.

The installer copies the printer driver files from the CD-ROM to the computer's hard disk.

- 17 Set up the options with the printer driver.

- 18 Restart the Windows.

 **Note**

- Print a test page after completing installation.

---

## Setting up options

---

### **Limitation**

- Changing the setting of the printer requires Manage Printers permission. Members of the Administrators and Power Users groups have Manage Printers permission by default. When you set up options, log on using an account that has Manage Printers permission.

### **Important**

- If the printer is equipped with certain options (e.g. the Paper Feed Unit or the Memory Unit), you should set up the options with the printer driver.

- 1 Click **[Start]** on the taskbar, point to **[Settings]**, and then click **[Printers]**.

The **[Printers]** window appears.

- 2 Click the icon of the printer you want to use. On the **[File]** menu, click **[Properties]**.

- 3 Click the **[Device Settings]** tab.

- 4 Use the **[Installable Options]** group to select the options, and then select **[Installed]** or **[Not]** Installed from the drop-down list box.

- 5 Repeat steps 4 for all options.

- 6 After making all settings you want, click **[OK]**.

---

## Windows NT 4.0 - Installing the PostScript Printer Driver

---

---

### Installing the printer driver

---

#### Limitation

- Installing a printer driver requires Full Control access permission. Members of the Administrators, Server Operators, Print Operators, and Power Users groups have Full Control permission by default. When you install a printer driver, log on using an account that has Full Control permission.

#### Important

- The CD-ROM containing the Windows NT Server operating system version 4.0, or the Windows NT Workstation operating system is required for installing the printer driver.
- We recommend that you upgrade the Windows NT 4.0 operating system to Service Pack 4 or later before installing the printer driver. Contact your Windows retailer for more information about the latest version available.
- Be sure to install the PPD file for Windows NT 4.0. Do not accidentally install the PPD file for Windows 95/98/Me or Windows 2000.

**1** Close all applications that are currently running.

**2** Click **[Start]** on the taskbar, point to **[Settings]**, and then click **[Printers]**.  
The **[Printers]** window appears.

**3** Double-click the **[Add Printers]** icon.  
**[Add Printer Wizard]** starts.

**4** After confirming that the **[My Computer]** option is selected, click **[Next]**.  
A dialog box for selecting the printer port appears.

**5** Check the check box of the port you want to use, and then click **[Next]**.  
A dialog box for selecting the printer manufacturer and model name appears.

**6** Click **[Have Disk]**.  
A dialog box for installing the driver from a disk appears.

**7** Hold down the **[SHIFT]** key and insert the CD-ROM into the CD-ROM drive. Keep the **[SHIFT]** key held down until the computer has finished accessing the CD-ROM.

If the Auto Run program starts, click **[Cancel]**.

**8** Change the drive name in the list box to the name of the CD-ROM drive, and then click **[Browse]**.

**9** In the **[Folders:]** box, double-click **[DRIVERS]**, **[PS]**, **[NT4]**. Then double-click the folder of the appropriate language for the operating system. Finally, click **[DISK1]**.

**10** Click **[Open]**.

**11** Click **[OK]**.

A printer model selection dialog box appears.

**12** Click to select the name of the printer whose driver you want to install, and then click **[Next]**.

A dialog box for changing the printer name appears.

**13** Change the name of the printer if you want, and then click **[Next]**.

**14** Click **[Next]**.

**15** In the next dialog box asking if you want to print a test page, select **[No]** and then click **[Finish]**.

The installer copies the printer driver files from the CD-ROM to the computer's hard disk.

 **Note**

Print a test page after completing installation and restarting Windows.

**16** If you are asked whether you want to restart Windows, select **[Yes]**. If you are not asked, restart Windows after completing the installation.

---

## Setting up options

---

 **Limitation**

Changing the setting of the printer requires Full Control access permission. Members of the Administrators, Server Operators, Print Operators, and Power Users groups have Full Control permission by default. When you setup options, log on using an account that has Full Control permission.

 **Important**

If the printer is equipped with certain options (e.g. the Paper Feed Unit or the Memory Unit), you should set up the options with the printer driver.

**1** Click **[Start]** on the taskbar, point to **[Settings]**, and then click **[Printers]**.

The **[Printers]** window appears.

**2** Click to select the icon of the printer you want to use.

**3** On the **[File]** menu, click **[Properties]**.

The **[Printer Properties]** dialog box appears.

**4** Click the **[Device Settings]** tab.

**5** In the **[Installable Options]** group, select the option you have installed to the printer.

The current setting appears in the **[Change Setting]** box.

**6** Use the **[Change Setting:]** list to select the appropriate setting for the selected option.

**7** Repeat steps **5** – **6** for all options.

**8** After making all option settings, click **[OK]**.



### **The conditions of the bidirectional transmissions**

When the bidirectional transmissions is enabled, the information about the paper size and feed direction settings are automatically sent to the computer by the printer. You can also confirm the printer's condition from your computer.

- The bidirectional transmissions is supported by Windows 95/98/Me, Windows 2000 and Windows NT 4.0.
- When the bidirectional transmissions is enabled on Windows 95/98/Me, the unavailable functions are grayed out in the **[Change Accessories]** dialog box of the printer properties. The **[Change Accessories]** dialog box is displayed by clicking the **[Change Accessories...]** button in the **[Printer Configuration]** dialog box. On Windows 2000 and Windows NT 4.0, the **[Change Accessories]** tab does not appear in the printer properties.

To support the bidirectional transmissions, the following conditions below are required.

#### ❖ **Connecting with the parallel interface cable and the USB exchange cable.**

- The computer supports the bidirectional transmissions.
- The Interface cable supports the bidirectional transmissions.
- The printer is connected to the computer using the standard parallel interface cable and the parallel connector.
- On Windows 95/98/Me, the **[Enable bi-directional support for this printer]** is selected in the **[Spool Settings...]** on the **[Details]** tab.
- On Windows 2000 and Windows NT 4.0, the **[Enable bi-directional support]** is selected and **[Enable printer spooling]** is not selected on the **[port]** tab.

#### ❖ **Connecting with the network**

- PortNavi or Multidirect Print and the TCP/IP protocol are used.
- On Windows 95/98/Me, the **[Enable bi-directional support for this printer]** is selected in the **[Spool Settings...]** on the **[Details]** tab.
- On Windows 2000 and Windows NT 4.0, the **[Enable bi-directional support]** is selected and **[Enable printer spooling]** is not selected on the **[port]** tab.
- PRINTER MANAGER FOR CLIENT included on the CD-ROM is installed.



## Using Adobe PageMaker Version 6.0 or 6.5

If you use the printer under Windows 95/98/Me, Windows 2000, Windows NT 4.0 with Adobe PageMaker, you need to copy the PPD file to the PageMaker folder.

The PPD file is the file with extension ".ppd". It is in the folder "DRIVERS\PS\WIN95\_98\Language\DISK1\" on the CD-ROM.

The **[WIN95\_98]** folder, inside the **[PS]** folder is for the Windows 95/98/Me operating system. Use the folder at this level that is appropriate for the operating system you are using.

The third folder, "(Language)" may be substituted by an appropriate language name.

4

Copy this file to the PageMaker folder.

For PageMaker 6.0 default installation, the folder is "C:\PM6\RSRC\PPD4", and for PageMaker 6.5 default installation, the directory is "C:\PM65\RSRC\USENGLISH\PPD4". The "USENGLISH" may differ depending on your language selection.

### Reference

For more information about the language name, see P.45 "*Installing by Auto Run*".



# Macintosh

---

## Macintosh - Installing the PostScript Printer Driver

---

It is necessary to install a printer driver and a PPD file to print from a Macintosh. Follow these steps to install a printer driver and a PPD file into a Macintosh using a system 7.6.1 or later operating system.

- 1** Insert the CD-ROM into the CD-ROM drive.
- 2** Double-click the CD-ROM icon.
- 3** Double-click the [PS] folder.
- 4** Double-click the folder of the language you use.
- 5** Open [DISK1] and double-click the installer icon.
- 6** Follow the instructions on the screen.
- 7** Double-click [Extensions].
- 8** Double-click [Printer Descriptions].
- 9** Double-click the CD-ROM icon on the desktop.
- 10** Double-click [DISK1] in the folder of the language you use.
- 11** Click and drag the PPD file into [Printer Descriptions].
- 12** Click and drag the "Plugin" file into [Printer Descriptions] in [Extensions] in [System Folder].
- 13** Restart the Macintosh.

---

## Setting Up the PPD File

---

### Preparation

Confirm that the printer is connected to an AppleTalk network before performing the following procedure.

- 1** On the **[Apple]** menu, select **[Chooser]**.
- 2** Click the **[Adobe PS]** icon.
- 3** In the **[Select a PostScript Printer:]** list, click the name of the printer you want to use.
- 4** Click **[Create]**.
- 5** Click the printer you want to use, and then click **[Select]**.

The PPD file is set up, and the **[Adobe PS]** icon appears at the left of the printer name in the list. Next, follow the procedure on P.64 “*Setting Up Options*” to make the option settings, or close the **[Chooser]** dialog box.

---

## Setting Up Options

---

- 1** On the **[Apple]** menu, select **[Chooser]**.
- 2** Click the **[Adobe PS]** icon.
- 3** In the **[Select the PostScript Printer:]** list, click the name of the printer you want to use, and then click **[Setup]**.
- 4** Click **[Configure]**.  
A list of options appears.
- 5** Select the option you want to set up and select the appropriate setting for it.

### Note

If the option you want to set up is not displayed, the PPD file might not be set up correctly. Check the name of the PPD file shown in the dialog box.

- 6** Click **[OK]**.  
The list of options closes.
- 7** Click **[OK]**.  
The **[Chooser]** dialog box appears.
- 8** Close the **[Chooser]** dialog box.

# INDEX

---

1394 Interface Unit Type 2600, 13, 14, 31  
1-bin Shift Sort Tray Type 2600, 13, 17

## A

---

Access Control Address, 37, 41  
Access Control Mask, 37, 41  
AD410, 12, 20  
Agfa Font Manager, 4  
Auto Run, 45

## B

---

Bypass Tray, 6  
Bypass Tray Extension, 6

## C

---

Caution, ii  
Controller Board, 7  
CS380, 13, 19

## D

---

Data In indicator, 9

## E

---

Enter key, 10  
Envelope Feeder Type 2600, 12, 16  
Error indicator, 9  
Escape key, 10  
Ethernet, 37

## F

---

Form Feed key, 9  
Frame type NetWare, 37  
Front Cover, 8  
Front Cover Release Buttons, 7  
Fusing Unit, 8  
Fusing Unit Lock Levers, 8

## G

---

Gateway Address, 37, 41  
Guide Board, 8

## H

---

Hard Disk Drive Type 2600, 13, 14, 24

## I

---

IP address, 37

## J

---

Job Reset key, 9

## M

---

Memory Unit TypeB 64MB, 13, 14, 22  
Menu key, 9

## N

---

Network, 37  
Network Boot, 37  
Network Interface Board  
  Operating Instructions, v  
Network Interface Board Type 2600, 13, 27

## O

---

On Line key, 9  
Operation Panel, 7, 9  
Options, 11  
  options, available, 12  
  options, installing, 15  
Output Tray, 7  
Output Tray Extension, 7

## P

---

- PageMaker 6.0 or 6.5, 62
- Panel display, 9
- Paper Exit Cover, 7
- Paper Feed Unit Type 2600, 12, 15
- Paper Size Dial, 6
- Paper Tray, 7
- PCL 5e, 2
- PCL 6, 2
- PCL 6/5e
  - Windows 2000, Install*, 47
  - Windows 95/98/Me, Install*, 46
  - Windows NT 4.0, Install*, 49
- PortNavi, 5
- PostScript, 3
  - Macintosh, Install*, 63
  - Windows 2000, install*, 57
  - Windows 95/98/Me, install*, 55
  - Windows NT 4.0, install*, 59
- PostScript printer driver, 55
- Power indicator, 9
- Power Switch, 7
- printer driver, 2
- PRINTER MANAGER FOR ADMINISTRATOR, 4
- PRINTER MANAGER FOR CLIENT, 4
- Printer Reference, v

## Q

---

- Quick Installation Guide, v

## R

---

- Rear Cover, 7
- Registration Roller, 8
- RPCS
  - Windows 2000, Install*, 52
  - Windows 95/98/Me, Install*, 51
  - Windows NT 4.0, Install*, 54

## S

---

- Setup Guide, v
- Standard Tray, 7
- Subnet Mask, 37, 41

## T

---

- Toner Cartridge, 8
- Transfer Roller, 8
- Transfer Roller Cover, 8
- Type 1 Printer, 1
- Type 2 Printer, 1

## U

---

- Upper Cover, 7

## V

---

- Ventilator, 7

## W

---

- Warning, ii
- Windows 2000
  - PCL 6/5e, Install*, 47
  - PostScript, Install*, 57
  - RPCS, Install*, 52
- Windows 95/98/Me
  - PCL 6/5e, Install*, 46
  - PostScript, Install*, 55
  - RPCS, Install*, 51
- Windows NT 4.0
  - PCL 6/5e, Install*, 49
  - PostScript, Install*, 59
  - RPCS, Install*, 54

MEMO

MEMO

## Note to users in the United States of America

### Notice:

This equipment has been tested and found to comply with the limits for a Class B digital device, pursuant to Part 15 of the FCC Rules. These limits are designed to provide reasonable protection against harmful interference in a residential installation. This equipment generates, uses and can radiate radio frequency energy and, if not installed and used in accordance with the instructions, may cause harmful interference to radio communications.

However, there is no guarantee that interference will not occur in a particular installation. If this equipment does cause harmful interference to radio or television reception, which can be determined by turning the equipment off and on, the user is encouraged to try to correct the interference by one more of the following measures:

**Reorient or relocate the receiving antenna.**

**Increase the separation between the equipment and receiver.**

**Connect the equipment into an outlet on a circuit different from that to which the receiver is connected.**

**Consult the dealer or an experienced radio/TV technician for help.**

### Warning

Changes or modifications not expressly approved by the party responsible for compliance could void the user's authority to operate the equipment.

### Caution (in case of 100BaseTX environment):

Properly shielded and grounded cables (STP) and connectors must be used for connections to host computer (and/or peripheral) in order to meet FCC emission limits.

### Declaration of Conformity

Product Name: Laser Printer

Model Number: RICOH LASER AP2600

Responsible party: Ricoh Corporation

Address: 5 Dedrick Place, West Caldwell, NJ 07006

Telephone number: 973-882-2000

This device complies with part 15 of FCC Rules.

Operation is subject to the following two conditions:

1. This device may not cause harmful interference, and
2. this device must accept any interference received, including interference that may cause undesired operation.

**Properly shielded cables must be used for connections to host computer (and/or peripheral) in order to meet FCC emission limits.**

**Network interface cable with ferrite core must be used for RF interference suppression.**

## Note to users in Canada

### Note:

This Class B digital apparatus complies with Canadian ICES-003.

### Remarque concernant les utilisateurs au Canada

### Avertissement:

Cet appareil numérique de la classe B est conforme à la norme NMB-003 du Canada.

In accordance with IEC 60417, this machine uses the following symbols for the main power switch:

**I** means POWER ON.

**O** means POWER OFF.



## RICOH COMPANY, LTD.

15-5, Minami Aoyama 1-chome,  
Minato-ku, Tokyo 107-8544, Japan  
Phone: +81-(0)3-3479-3111

RICOH LASER AP2600/AP2600N

## RICOH CORPORATION CALLING FOR SERVICE

For service in the United States, please call:

**1-800-RICOH 38 (1-800-742-6438)**

## Overseas Affiliates

### U.S.A.

RICOH CORPORATION  
5 Dedrick Place  
West Caldwell, New Jersey 07006  
Phone: +1-973-882-2000

### The Netherlands

RICOH EUROPE B.V.  
Groenelaan 3, 1186 AA, Amstelveen  
Phone: +31-(0)20-5474111

### United Kingdom

RICOH UK LTD.  
Ricoh House,  
1 Plane Tree Crescent, Feltham,  
Middlesex, TW13 7HG  
Phone: +44-(0)20-8261-4000

### Germany

RICOH DEUTSCHLAND GmbH  
Mergenthalerallee 38-40,  
65760 Eschborn  
Phone: +49-(0)6196-9060

### France

RICOH FRANCE S.A.  
383, Avenue du Général de Gaulle  
BP 307-92143 Clamart Cedex  
Phone: +33-(0)1-40-94-38-38

### Spain

RICOH ESPAÑA S.A.  
Avda. Litoral Mar, 12-14,  
08005 Barcelona  
Phone: +34-(0)93-295-7600

### Italy

RICOH ITALIA SpA  
Via della Metallurgia 12,  
37139 Verona  
Phone: +39-045-8181500

### Hong Kong

RICOH HONG KONG LTD.  
21/F., Tai Yau Building,  
181, Johnston Road,  
Wan Chai, Hong Kong  
Phone: +852-2862-2888

### Singapore

RICOH ASIA PACIFIC PTE.LTD.  
260 Orchard Road,  
#15-01/02 The Heeren,  
Singapore 238855  
Phone: +65-830-5888

Model number: G058-17, G056-17

UE  G058-8637